

TOWN OF GREENFIELD
Department of Public Works

CONTRACT 17-5

ROADWAY RESURFACING AND RELATED WORK
VARIOUS LOCATIONS

TABLE OF CONTENTS:

	<u>PAGE #</u>
ADVERTISEMENT FOR BIDDERS	3
SECTION 1 – INFORMATION FOR BIDDERS	4
SECTION 2 – FORMS FOR BID	11
SECTION 3 – AGREEMENT	22
SECTION 4 – BONDS	26
SECTION 5 – SPECIFICATIONS	34
SECTION 6 – SPECIAL CONDITIONS	40
SECTION 7 – GENERAL CONDITIONS	44
SECTION 8 – MEASUREMENT & PAYMENT	58
APPENDIX A – PREVAILING WAGE RATES	
APPENDIX B – PAVING LIST	

ADVERTISEMENT FOR BIDDERS
DEPARTMENT OF PUBLIC WORKS
14 Court Square
Greenfield, MA 01301

Sealed Proposals addressed to the Department of Public Works, 14 Court Square, Greenfield, Massachusetts and endorsed “Proposal for Contract 17-5, Roadway Resurfacing & Related Work, Various Locations” will be accepted by the Department of Public Works in Room 208 on the second floor of the Town Hall. Bids will be accepted until 2:00 p.m. on Thursday, July 13, 2017, at which time said bids will be publicly opened and read aloud in the Community Meeting Room (Room #203) on the second floor of the Town Hall.

Bid Security from the Contractor in the form of cash, certified check, treasurer’s check, or cashier’s check, drawn upon a responsible bank in the Commonwealth of Massachusetts, or a bid bond in the amount of five percent (5%) of the bid shall be made payable to the Town of Greenfield, Massachusetts and shall be enclosed with the bid.

Plans, specifications and proposal forms can be obtained by contacting alant@greenfield-ma.gov or DPW@greenfield-ma.gov.

Minimum Wage Rates, as determined by the Commissioner of the Department of Labor and Industries, under the provisions of the Massachusetts General Laws, Chapter 149, Section 26 and 27G, as amended, apply to this project.

The successful bidder must comply with Chapter 151B as amended, of the Massachusetts General Laws and with the provisions of Executive Order No. 74, as amended by Executive Order No. 116 dated May 1, 1975 pertaining to Equal Opportunity Anti-Discrimination and Affirmative Action.

A Performance Bond and a Labor and Materials Bond in the full amount of the contract, will be required of the successful bidder.

The Town of Greenfield reserves the right to waive any informality in and to reject any or all proposals or to accept the proposals deemed most satisfactory to the Town, if it be in the public interest to do so.

Contractor Pre-Qualification from MassDOT is required.

The Contract/Bid/Proposal awarding authority is:

Town of Greenfield
Department of Public Works
Greenfield, Massachusetts

SECTION 1
INFORMATION FOR BIDDERS

SECTION 1
INFORMATION FOR BIDDERS

- 1.1 The scope of this Contract consists of furnishing all materials and labor necessary for the completion of the Work as specified herein. The Work consists of resurfacing streets, as listed in Appendix B, as well as cold planing, furnishing and replacing castings, adjusting structures, and related work to include sweeping of streets in preparation of paving. **Prior to invoicing, the Contractor shall submit to the Owner a breakdown of all associated costs per street for all items listed. Individual load slips for HMA, gravel borrow, and tack coat shall be submitted to the DPW along with the payment application.**

Scope of Work:

Country Club Road

- Mill to a depth of 1.5 inches from Silver Street to north side of entrance to Greenfield Country Club
- Replace worn castings as directed
- Adjust/rebuild structures as needed
- Sweep street in preparation of HMA overlay
- Tack coat surface
- Place 1.5-inch top course

Fairview Street West

- Mill to a depth of 1.5 inches from South Shelburne Road to Munson Street
- Mill to a depth of 2.5 inches from Munson Street to Newton Street
- Replace worn castings as directed
- Adjust/rebuild structures as needed
- Sweep street in preparation of HMA overlay
- Tack coat surface
- Place 1.5-inch top course

Huntington Circle

- Replace worn castings as directed
- Adjust/rebuild structures as needed
- Sweep street in preparation of HMA overlay
- Tack coat surface
- Place 1.5-inch top course

Petty Plain Road from Meridian Street to Green River Park

- Sweep street in preparation of HMA overlay
- Place leveling course
- Replace worn castings as directed
- Adjust/rebuild structures as needed
- Tack coat surface
- Place 1.5-inch top course

Petty Plain Road from Deerfield Street to Pedestrian Bridge

- Replace worn castings as directed
- Adjust/rebuild structures as needed
- Sweep street in preparation of HMA overlay
- Tack coat surface
- Place 1.25-inch top course

Spring Terrace

- Replace worn castings as directed

- Adjust/rebuild structures as needed
- Sweep street in preparation of HMA overlay
- Tack coat surface
- Place 1.5-inch top course

1.2 The material hereunder shall be supplied and installed in a thorough, workmanlike manner, and conform to standards prescribed or approved within these specifications. Any reference to a specification or designation of the American Society for Testing and Materials, ASHTO Specification, Massachusetts Department of Public Works Specifications, refers to the most recent or latest specifications or designation. Where names of specific products may be designated in these specifications or in the details appearing on the drawings, the intent is to state the general type and quality of product desired without ruling out use of other products of equal type and quality which have been approved in writing by the Owner.

1.3 Contract Documents: The Advertisement for Bidders, GENERAL AND DETAIL SPECIFICATIONS, and forms for Bid, may be obtained by contacting alant@greenfield-ma.gov or DPW@greenfield-ma.gov.

1.4 Questions Regarding Drawings and Documents. In general, no answers will be given to prospective bidders in reply to an oral question if the question involves an interpretation of the intent or meaning of the Drawings or other Contract Documents, or the equality or use of products or methods other than those designated or described on the drawings or in the specifications. Any information given to bidders other than by means of the Drawings and other Contract Documents, including Addenda, as described below, is given informally, for information and the convenience of the bidder only and is not guaranteed. The bidder agrees that such information shall not be used as the basis of nor shall the giving of any such information entitle the bidder to assert any claim or demand against the Owner or the Engineer on account thereof.

To receive consideration, such questions shall be submitted in writing to the Town at least 7 days before the established date for receipt of bids. If the question involves the equality or use of products or methods it must be accompanied by drawings, specifications or other data in sufficient detail to enable the Town to determine the equality or suitability of the product or method. In general, the Town will neither approve nor disapprove particular products prior to the opening of bids; such products will be considered when offered by the Contractor for incorporation into the Work.

The Town will set forth as Addenda, which shall become a part of the Contract Documents, such questions received as above provided as in his sole judgment are appropriate or necessary and his decision regarding each. At least three days prior to the receipt of bids, he will send a copy of these Addenda to those prospective bidders known to have taken out sets of the Drawings and other Contract Documents.

1.5 Blank Form for Bid. All bids must be upon the blank form for bid annexed hereto, state the proposed price of each item of the Work, both in words and in figures, and be signed by the bidder with his business address and place of residence. Bidders shall not remove and submit the bid pages separate from the volume of Contract Documents, but shall submit their bids bound with the complete volume of attached Contract Documents, including all pages correctly assembled.

- 1.6 Withdrawal of Bids. Except as hereinafter in this subsection otherwise expressly provided, once his bid is submitted and received by the Town for consideration and comparison with other bids similarly submitted, the bidder agrees that he may not and will not withdraw it within 40 (forty) consecutive calendar days after the actual date of the opening of bids.

Upon proper written request and identifications, bids may be withdrawn as follows:

1. At any time prior to the designated time for the opening of bids.
2. Provided the bid has not therefore been accepted by the Town, at any time subsequent to the expiration of the period during which the bidder has agreed not to withdraw his bid.

Unless a bid is withdrawn as provided above, the bidder agrees that it shall be deemed open for acceptance until the AGREEMENT has been executed by both parties thereto or until the Owner notified a bidder in writing, that his bid is rejected or that the owner does not intend to accept it. Notice of acceptance of a bid shall not constitute rejection of any bid.

- 1.7 Ability and Experience of Bidder. No award will be made to any bidder who cannot satisfy the Town that he has sufficient ability and experience in this class of work and sufficient capital and plant to enable him to prosecute and furnish the material and work within a normal period of time. The Town's decision or judgment on these matters shall be final, conclusive, and binding.
- 1.8 Bids. The Town may reject bids which in its sole judgment are either incomplete, conditional, obscure or not responsive or which contain additions not called for, erasures not properly initialed, alterations, or similar irregularities, or the Town may waive such omissions, conditions or irregularities.
- 1.9 The Town of Greenfield reserves the right to reject any or all bids wholly or in part; to waive technicalities and informalities; to amend and/or cancel the bid prior to the time of opening; and to correct any award erroneously made as a result of a clerical error on the part of the Town. The award for this project shall be dependent upon the Town receiving State funding.
- 1.10 Execution of Agreement. The bidder whose bid is accepted will be notified by letter and agrees to duly execute the AGREEMENT, after notification, for a period ending as specified on bid proposal forms.
- 1.11 Liquidated Damages. All work covered by this contract is to be completed by September 15, 2017. Should the Contractor fail to meet this date, his surety bond will be called or a fine at \$500.00 a day for every work day the paving is not completed. A workweek is Monday through Friday.
- 1.12 Comparison of Bids. Bids will be compared and awarded on the basis of each individual items unit price stated in the bid.

In the event there is a discrepancy in the bid between the unit prices written in words and figures, the prices written in words shall govern.

The Town agrees to examine and consider each bid submitted in consideration of the bidder's agreements, as hereinabove set forth and as set forth in the BID.

- 1.13 Bid Security. Bid Security from the Contractor in the form of cash, certified check or treasurer's or cashier's check drawn upon a responsible bank in the Commonwealth of Massachusetts or a bid bond in the amount of five percent (5%) of the bid shall be made payable to the Town of Greenfield, Massachusetts and shall be enclosed with the bid.

Each such check may be held by the Town as security for the fulfillment of the bidder's agreements as hereinabove set forth and as set forth in the BID. Should the bidder fail to fulfill such agreements, his bid check shall become the property of the Town as liquidated damages; otherwise, the bid check shall be returned to the bidder as hereinafter provided.

Bid checks will be returned to all except the three lowest bidders within three days, Sundays and legal holidays excluded, after the owner and the accepted bidder have executed the AGREEMENT. In the event that the AGREEMENT has not been executed by both the accepted bidder and the owner within 40 consecutive calendar days after the opening of bids, the bid check will be returned promptly upon demand of any bidder who has not been notified of the acceptance of his bid.

- 1.14 All questions relative to the specifications shall be directed to:

Alan Twarog
14 Court Square
Greenfield, MA 01301
413-772-1528 x6104

- 1.15 Bidder is to list exceptions in detail of any and all material, item or design specifications in their bid.

- 1.16 Disputes. In the event of any dispute as to any of the terms and conditions of this contract, it shall be determined in accord with the laws of the Commonwealth of Massachusetts and the Courts of the Commonwealth of Massachusetts shall have exclusive jurisdiction of the same.

- 1.17 Addenda. This bid includes addenda number/numbers _____.

- 1.18 Minimum Wage Rates. In the employment of mechanics, teamsters, chauffeurs, and laborers in the construction of the public work projects, the Minimum Wage rates shall be paid as issued by the Commissioner of Labor and Industries of Massachusetts, in accordance with Sections 26 and 27 of Chapter 149, of the General Laws, as amended, and as included in Appendix A.

- 1.19 Equal Employment Opportunity Anti-Discrimination and Affirmative Action. The successful bidder must comply with Chapter 151B as amended, of the Massachusetts General Laws and with the provisions of Executive Order No. 74, as amended by Executive Order No. 116 dated May 1, 1975 pertaining to Equal Opportunity Anti-Discrimination and Affirmative Action.

- 1.20 Price Adjustments. This Contract contains price adjustments for hot mix asphalt cement mixtures, diesel fuel, and gasoline. For this project the base prices are as follows: liquid asphalt \$407.50 per ton, diesel fuel \$1.953 per gallon, and gasoline \$1.937 per gallon. Period prices can be found on the MassDOT website under Permits, Forms & Publications, Construction Publications at <http://www.mhd.state.ma.us/>. Price adjustments are further explained in Section 6 – Special Conditions.
- 1.21 The Town reserves the right to revoke this contracted AGREEMENT in writing with two week’s notice, if the Contractor is clearly not performing services required in the Contract in a timely or workmanlike manner.
- 1.22 Insurance Certificates. The Contractor will not be permitted to start any work until he has submitted certificates covering all insurance called for, and has obtained approval in writing of such certificates from the Town.

Before starting, and until completion of the guarantee period, the Contractor shall procure, deposit, and maintain with the Town, insurance satisfactory to the Town as follows:

- A. Workmen’s Compensation and Employer’s Liability Insurance as required by the Workmen’s Compensation Laws of the Commonwealth of Massachusetts.
- B. Comprehensive General Liability Insurance covering Bodily Injury and Property Damage (Broad Form) as follows:

Limits of Liability*	\$1,000,000 each occurrence
	\$2,000,000 aggregate

* or \$1,000,000 single limit combined Bodily Injury and Property Damage.

The Comprehensive General Liability Policy shall provide insurance for the Contractor for Bodily Injury and Property Damage to third persons arising out of:

1. Work performed by the Contractor himself with his own employees, called “premises operations.”
2. Work performed by his subcontractors, called “sublet work” or Independent Contractors (this is referred to as Contractor’s Protective Liability).
3. The Contractor’s liability assumed under this contract, called “Hold Harmless” clauses or indemnity agreement. (This is referred to as Contractual Liability Insurance).
4. Products liability coverage covering the completed building or installation or products furnished. (This is called Products Liability Insurance for the manufacturer and Complete Operations Liability Insurance for the Contractor).
5. If any work is to be performed below the surface of the ground, the coverage shall be extended to include protection against property damage caused by explosion (including blasting), collapse of structures and damage to underground pipes and utilities. (This is known as “XCU” coverage).

- C. Comprehensive Automobile Liability Insurance covering Bodily Injury and Property Damage, as follows:

Limits of Liability

Bodily Injury	\$500,000 each person \$1,000,000 each accident
Property Damage	\$1,000,000 each accident

* or \$500,00 single limit combined Bodily Injury and Property Damage.

This insurance is to apply with respect to all owned or hired vehicles of the Contractor and non-ownership protection for all employees of the Contractor engaged in the performance of this contract.

- D. All policies shall be so written that the Town will be notified of cancellation or restrictive amendment at least 30 days prior to the effective date of such cancellation or amendment. Certificates from the insurance carrier stating the limits of liability and expiration date shall be filed in triplicate with the Town before operations are begun. Such certificates not only shall name the types of policy provided, but also shall refer specifically to this Contract* and article and the above paragraphs in accordance with which insurance is being furnished and shall state that such insurance is as required by such paragraphs of this Contract and shall be sufficiently comprehensive as to permit the owner to determine that the required insurance coverage has been provided without the necessity of examining the individual insurance policies.

If the initial insurance expires prior to completion of the Work, renewal certificates shall be furnished by the date of expiration.

* If blanket coverage is furnished, this particular Contract need not be referred to.

- E. The Contractor shall require each of his sub-contractors to procure and maintain until the completion of that sub-contractor's work, insurance of the types and to the limits specified in paragraphs A to C, inclusive, above. It shall be the responsibility of the Contractor to insure that all his sub-contractors comply with all of the insurance requirements contained herein relating to such sub-contractors.

No insurances required or furnished hereunder shall, in any way, relieve the Contractor of, or diminish any of his responsibilities, obligations and liabilities under the Contract.

SECTION 2
FORMS FOR BID

Bidder's Name

PROPOSAL FORM

To the Town of Greenfield, Massachusetts, (hereinafter called the "Owner") acting through its Department of Public Works, duly authorized therefore, who act solely for said Town and without personal liability to themselves:

Gentlemen:

The undersigned _____, as bidder, declares that the only persons or parties interested in this bid as principals are those named herein; that the bidder has carefully examined the proposed form of Proposal and the Specifications (and amendments thereto); and he bids and agrees, if this bid is accepted, that the bidder will furnish all materials and labor necessary for the completion of the Work as specified in the Proposal, in the manner and time therein prescribed and according to the requirements of Owner as herein set forth.

The Bidder agrees that the Owner will have forty (40) consecutive days from date of opening to accept the bid, except as described in the specifications, the unit(s) at the price, therein. The Bidder also understands that the Owner reserves the right to accept or reject any or all bids and to waive any informalities in the Proposals if it is in the Owner's interest to do so. The Advertisement for Bidders, Information for Bidders, Specifications and Proposal Form attached thereto, shall become a contract upon the receipt by the Bidder of written acceptance of this bid by the Owner.

The Bidder will take in full payment, therefore, the following price, to wit:

Item Number	Estimated Quantity	Brief Description; unit or lump sum price bid in both words and figures	Total in Figures
1.	2,400 Tons	Class I Bituminous Concrete Pavement Type I-1 furnished in place _____dollars and _____cents (\$_____)	\$_____
2.	20 lin. ft.*	Class I Bituminous Concrete Curb Type 2 furnished in place _____dollars and _____cents (\$_____)	\$_____

3.	26 Each	Sewer & Drain Structures Adjusted		
			_____dollars	
			and _____cents (\$_____)	\$_____
4.	6 Each	Water Gate & Curb Boxes Adjusted		
			_____dollars	
			and _____cents (\$_____)	\$_____
5.	1 Each*	26 x 8” MassDOT Standard Manhole Frame & Cover “SEWER”		
			_____dollars	
			and _____cents (\$_____)	\$_____
6.	1 Each*	26 x 8” MassDOT Standard Manhole Frame & Cover “DRAIN”		
			_____dollars	
			and _____cents (\$_____)	\$_____
7.	1 Each*	24 x 8”, 3-Flange Mass DOT Standard Catch Basin Frame & Grate		
			_____dollars	
			and _____cents (\$_____)	\$_____
8.	1 Each*	24 x 8”, 4-Flange Mass DOT Standard Catch Basin Frame & Grate		
			_____dollars	
			and _____cents (\$_____)	\$_____
9.	1 Each*	24 x 4”, 4-Flange Mass DOT Standard Catch Basin Frame & Grate		
			_____dollars	
			and _____cents (\$_____)	\$_____
10.	1 Each*	5 ¼” x 26” Valve Box Top w/Cover North American		
			_____dollars	
			and _____cents (\$_____)	\$_____

11.	1 Each*	5 ¼ x 12” Slide Type Adjustable Valve Box Riser North American		
			_____dollars	
			and _____cents (\$_____)	\$_____
12.	20,237 S.Y.	Cold Planing		
			_____dollars	
			and _____cents (\$_____)	\$_____
13.	10 C.Y.*	Unsuitable Materials Excavation		
			_____dollars	
			and _____cents (\$_____)	\$_____
14.	10 C.Y.*	Gravel Borrow		
			_____dollars	
			and _____cents (\$_____)	\$_____
15.	5 Vertical Ft*	Remodel Structures		
			_____dollars	
			and _____cents (\$_____)	\$_____
16.	1,779 Gal	Tack Coat		
			_____dollars	
			and _____cents (\$_____)	\$_____
17.	25 Tons*	Hot Mix Asphalt Miscellaneous Hand Work		
			_____dollars	
			and _____cents (\$_____)	\$_____

18.	50 Tons*	Bituminous Concrete Driveway Aprons
		_____dollars
		and _____cents (\$_____)
		\$_____

* Indeterminate figure used for bid comparisons.

The undersigned agrees that for extra work, if any, performed in accordance with the terms and provisions of the annexed form of AGREEMENT, he will accept compensation as stipulated therein in full payment for such extra work.

If this BID is accepted by the Town, the undersigned agrees to complete the entire work provided to be done under the Contract within the time stipulated as otherwise expressly provided in the AGREEMENT.

For informal comparison only and not to be considered as part of the BID, the total price for Items _____ inclusive, derived as described in the INFORMATION FOR BIDDERS under the heading "Comparison of Bids," is \$** _____.

As provided in the INFORMATION FOR BIDDERS, the bidder hereby agrees that he will not withdraw this BID within 40 consecutive calendar days after the actual date of the opening of BIDS and that, if the Town shall accept this BID, the bidder will duly execute and acknowledge the AGREEMENT and furnish, duly executed and acknowledged, the required CONTRACT BONDS within ten (10) days after notification that the AGREEMENT and other Contract Documents are ready for signature.

Should the bidder fail to fulfill any of his agreements as hereinabove set forth, the Town shall have the right to retain as liquidated damages the amount of the bid check which shall become the Town's property.

This BID includes Addenda number *** _____.

 ** Bidder must fill in this blank

*** To be filled in by Bidder if Addenda are issued.

The Bidder, by submittal of this BID, agrees with the Owner that the amount of the bid security deposited with this BID fairly and reasonably represents the amount of damages the Owner will suffer due to the failure of the Bidder to fulfill his agreements as above provided.

The Bidder hereby certifies he shall comply with the minority manpower ration and specific action steps contained in the STATE REQUIREMENTS under Massachusetts Equal Employment Program, including the minority contractor compliance. Prior to the award of the Contract, the Contractor must submit a Contractor's Certification of Compliance. The Contractor receiving the award of the Contract shall be required to obtain from each of its Sub-Contractors and submit to the contracting or administering agency prior to the performance of any work under said Contract a certification by said Sub-Contractor, regardless of tier, that it

will comply with the minority manpower ratio and specific affirmative action steps contained in the Massachusetts Equal Employment Program.

Name of Bidder

(SEAL)

By _____
(Signature and title of authorized representative)

(Business Address)

(City & State)

Date _____

The Bidder is a corporation incorporated in the State (or Commonwealth) of _____

(Bidder must add and delete, as necessary, to make this sentence read correctly).

(Note: If the Bidder is a corporation, affix corporate seal and give below the names of its president, treasurer, and general manager, if any; if a partnership, give full names and residential addresses of all partners, and if an individual, give residential address if different from business address.)

CERTIFICATE OF NON-COLLUSION

The undersigned certifies under penalties of perjury that this bid or proposal has been made and submitted in good faith and without collusion or fraud with any other person. As used in this certification, the word "person" shall mean any natural person, business, partnership, corporation, union, committee, club, or other organization, entity, or group of individuals.

Signature of individual submitting bid or proposal

Name of Business

TAX COMPLIANCE CERTIFICATION

Pursuant to M.G.L. Ch. 62C, Sec. 49A, I certify under the penalties of perjury that I, to the best of my knowledge and belief, am in compliance with all laws of the Commonwealth of Massachusetts relating to taxes, reporting of employees and contractors, and withholding and remitting child support.

Signature of individual submitting bid or proposal

Name of business

DEBARMENT STATEMENT
(to be used for any public construction project)

Any person or corporation that fails to date, sign with original signature, and submit the following statement shall not be awarded this contract.

DEBARMENT (Chapter 550, Acts of 1991)

The undersigned certifies under penalties of perjury that the said undersigned is not presently debarred from doing public construction work in the Commonwealth of Massachusetts under the provisions of Section 29F of Chapter 29 of the General Laws, or any other applicable debarment provisions of any other Chapter of the General Laws, or any Rule or Regulation promulgated thereunder.

DATE: _____

Typed or Printed Name of Person Signing

Authorized Official's Signature

Company or Corporation

OSHA TRAINING CERTIFICATION

Pursuant to M.G.L. Ch. 30, Sec. 39S(A), I certify under the penalties of perjury to the following:

- (1) that I am able to furnish labor that can work in harmony with all other elements of labor employed or to be employed at the work;
- (2) that all employees to be employed at the worksite will have successfully completed a course in construction safety and health approved by the United States Occupational Safety and Health Administration that is at least 10 hours in duration at the time the employee begins work and who shall furnish documentation of successful completion of said course with the first certified payroll report for each employee; and
- (3) that all employees to be employed in the work subject to this contract have successfully completed a course in construction safety and health approved by the United States Occupational Safety and Health Administration that is at least 10 hours in duration.

(Signature of authorized representative of Bidder)

(Name of authorized representative of Bidder)

(Name of business)

A. Contractor's Certification

Name of Project _____

A contractor will not be eligible for award of a contract unless such contractor has submitted the following certification, which is deemed a part of the resulting contract:

CONTRACTOR'S CERTIFICATION

_____ certified that:

1. it tends to use the following listed construction trades in the work under the contract _____

and

2. will comply with the minority manpower ration and specific affirmative action steps required by law, and
3. will obtain from each of its Sub-Contractors and submit to the contracting or administering agency prior to the award of any Sub-Contract under this contract the Sub-Contractor certification required by these bid conditions.

Signature of authorized representative
of Contractor.

B. Sub-Contractor's Certification

Name of Project _____

Prior to the award of any sub-contract, regardless of tier, the prospective sub-contractor must execute and submit to the prime contractor the following certification, which will be deemed a part of the resulting sub-contract:

SUB-CONTRACTOR'S CERTIFICATION

_____ certifies that:

- 1. it tends to use the following listed construction trades in the work under the sub-contract _____

and;

- 2. will comply with the minority manpower ration and specific affirmative action steps required by law; and
- 3. will obtain from each of the sub-contractors prior to the award of any sub-contract under this sub-contractor certification required by these bid conditions.

Signature of Authorized Representative

In order to ensure that the said sub-contractor's certification becomes a part of all sub-contractors under the prime contract, no sub-contract shall be executed until an authorized representative of the Town agency (or agencies) administering this project has determined, in writing, that the said certification has been incorporated in such sub-contract, regardless of tier. Any sub-contract executed without such written approval shall be void.

SECTION 3
AGREEMENT

AGREEMENT FOR CONTRACT 17-5

**Roadway Resurfacing and Related Work
Various Locations**

THIS AGREEMENT, executed this _____ day of _____
in the year Two Thousand and Seventeen.

(herein referred to as the “AGREEMENT”), by and between the Town of Greenfield, Massachusetts, acting by and through its Department of Public Works, duly authorized therefore, which acts solely for said Town and without personal liability to itself, party of the first part, and _____ party of the second part.

WITNESSETH, that the parties to these presents, each in consideration of the undertakings, promises, and agreements on the part of the other herein contained, have undertaken, promised and agreed and do hereby undertake, promise, and agree, the party of the first part for itself, its successors and assigns, and the party of the second part for himself and his heirs, executors, administrators, successors and assigns, as follows:

The Contractor agrees to furnish all equipment, machinery, tools and labor, to furnish and deliver all materials required to be furnished and delivered in and about the improvement and to do and perform all work in accordance with specifications and conditions attached hereto and made a part hereof, in strict conformity with the provisions herein contained and the Advertisement for Bidders and Proposal hereto annexed, and the General Requirements and Special Provisions hereto annexed, and with the plans referred to therein. All said Plans, General Requirements, Special Provisions, Addenda, Advertisement for Bidders, and Proposal are hereby specifically made a part of this Contract as fully and to the same effect as if the same had been set forth at length herein.

In consideration of the foregoing premises, the Owner shall pay and the Contractor shall receive the prices stipulated in the BID made a part hereof as full compensation for everything furnished and done by the Contractor under this contract; including all work required, but not shown on the plans for the items herein mentioned, and for all loss or damage arising out of the nature of the work aforesaid, or from the action of the elements, or from any delay or from any unforeseen obstruction or difficulty encountered in the prosecution of the Work, and for all risks of every description connected with the Work, and for all expenses incurred by or in consequence of the suspension or discontinuance of the Work as herein specified, and for well and faithfully completing the Work, and the whole thereof, as herein provided, such price or prices as are set out in the accompanying proposal, and for all work required, for which there is no item in the proposal, such compensation as is provided for in the aforesaid specification.

The Contractor’s original bid price for this project is _____.

IN WITNESS WHEREOF, the Owner has caused this instrument to be signed and its corporate seal to be hereto affixed in its behalf, and the Contractor has caused this instrument to be signed in its behalf.

AGREEMENT FOR CONTRACT 17-5

**Roadway Resurfacing and Related Work
Various Locations**

FOR THE OWNER,

By the _____

FOR THE CONTRACTOR,

Witness: _____

By the _____

Approved as to Appropriation:

Town Accountant

Certificate of Acknowledgment of Contractor if a Corporation

For AGREEMENT

State of _____)

SS:

County of _____)

On this _____ day of _____, 20____,

before me personally came _____

to me known, who being by me duly sworn, did depose and say as follows:

That he resides at _____

and is the _____

of _____

the corporation described in and which executed the foregoing instrument; that he knows the corporate seal of said corporation; that the seal affixed to the foregoing instrument is such corporate seal and it was so affixed by order of the Board of Directors of said corporation; and that by the like order he signed thereto his name and official designation.

Notary Public (Seal)

My commission expires: _____

SECTION 4

BONDS

PERFORMANCE BOND

(NOTE: This Bond is issued simultaneously with the attached Labor and Materials Bond in favor of the Owner.)

KNOW ALL MEN BY THESE PRESENTS:

That we, _____

(an individual, a partnership, a corporation)

duly organized under the Laws of the State (or Commonwealth) of _____,
and having a usual place of business at _____,
as Principal, and _____, a corporation
duly organized under the Laws of the State (or Commonwealth) of _____,
and having a usual place of business at _____,
as Surety, are holden and stand firmly bound and obligated unto the Town of Greenfield,
Massachusetts, as obligee, in the sum of _____,
lawful money of the United States of America to and for the true payment whereof we bind
ourselves and, each of us, our heirs, executors, administrators, successors, and assigns, jointly
and severally, firmly by these presents.

WHEREAS, the Principal, by means of a written AGREEMENT (which together with the
Contract Documents in said AGREEMENT referred to are collectively sometimes referred to as
the "Contract") dated _____.

Has entered into a contract with the said obligee for _____

a copy of which AGREEMENT is attached hereto and by reference made a part hereof.

NOW THEREFORE, THE CONDITION of this obligation is such that if the Principal shall well and truly keep and fully and faithfully perform all of the terms and conditions of said AGREEMENT and of the "Contract Documents" referred to in said AGREEMENT (which collectively are hereinafter and in said AGREEMENT sometimes referred to as the "Contract") and all modifications thereof on the Principal's part to be performed, this obligation shall be void; otherwise it shall remain in full force and effect.

Whenever the said Principal shall be, and declared by the Town to be in default under the said Contract, the Town having performed the Town's obligations thereunder, the Surety, for value received, shall promptly remedy the default, or, at the option of the Town, shall promptly

- (a) Complete the said AGREEMENT and/or Contract in accordance with its terms and conditions, or
- (b) Obtain a bid or bids for submission to and the approval of the Town for completing the said AGREEMENT and/or Contract and any modifications thereof in accordance with the terms and condition thereof, and upon determination by the Town and the Surety of the lowest responsible and acceptable bidder, arrange for a contract between such bidder and the Town, and make available to the Town as the Work progresses (even though there should be a default or a succession of defaults under the contract or contracts of completion arranged under this paragraph) sufficient funds to pay the cost of completion less a sum that shall be equal to the difference between the Contract price as fixed and provided in said AGREEMENT and/or Contract price as fixed and provided thereof to be paid thereunder to the Principal and the amount previously paid by the Town to and/or for the account of and/or chargeable against the Principal, but not exceeding (including other costs and damages for which the Surety may be liable hereunder) the amount set forth in the first paragraph hereof.

The Surety, for value received, agrees further that no changes in, omissions from, or alteration, modifications or additions to the terms and provisions of said AGREEMENT, and/or Contract or the Work to be performed thereunder, and that no extensions of time given or changes made in the manner or time of making payments thereunder, shall in any way affect the Surety's obligations on this Bond, and the Surety hereby waives notice of any such changes, omissions, alteration, modification, additions or extensions.

IN WITNESS WHEREOF, we have hereunto set our hands and seals to _____
 counterparts of this Bond, this _____ day of _____
 in the year Two Thousand and Seventeen.

 Principal (Seal)

 Principal (Seal)

 Principal (Seal)

 Surety (Seal)

 Surety (Seal)

 Surety (Seal)

(NOTE: If the Principal (Contractor) is a partnership, the Bond should be signed by each of the partners.

If the Principal (Contractor) is a corporation, the Bond should be signed in its correct corporate name by its duly authorized officers.

If this Bond is signed on behalf of the Surety by an attorney-in-fact, there should be attached to it a duly certified copy of his power of attorney showing his authority to sign such Bonds.

There should be executed an appropriate number of counterparts of the Bond corresponding to the number of counterparts of the AGREEMENT.)

LABOR AND MATERIALS (PAYMENT) BOND

(NOTE: This Bond is issued simultaneously with the attached Performance Bond in favor of the Town.)

KNOW ALL MEN BY THESE PRESENTS:

That we, _____

(an individual, a partnership, a corporation)

duly organized under the Laws of the State (or Commonwealth) of _____,
and having a usual place of business at _____,
as Principal, and _____, a corporation
duly organized under the Laws of the State (or Commonwealth) of _____,
and having a usual place of business at _____,
as Surety, are holden and stand firmly bound and obligated unto the Town of Greenfield,
Massachusetts, as obligee, in the sum of _____,
lawful money of the United States of America to and for the true payment whereof we bind
ourselves and, each of us, our heirs, executors, administrators, successors, and assigns, jointly
and severally, firmly by these presents.

WHEREAS, the Principal, by means of a written AGREEMENT (which together with the
Contract Documents in said AGREEMENT referred to are collectively sometimes referred to as
the "Contract") dated _____.

Has entered into a contract with the said obligee for _____

a copy of which AGREEMENT is attached hereto and by reference made a part hereof.

NOW, THEREFORE, THE CONDITION of this obligation is such that if the Principal shall promptly make payments to all claimants as hereinafter defined, for all labor performed or furnished and for all materials and equipment furnished for or used or in connection with the Work called for by said AGREEMENT and/or Contract and any modifications thereof, including lumber used, but not incorporated in said Work, and for the rental or hire of vehicles, tools and other appliances and equipment furnished for or used in connection with said Work, this obligation shall be void; otherwise it shall remain in full force and effect, subject, however, to the following conditions:

1. A claimant is defined as one having a direct contract with the Principal or with a subcontractor of the Principal for labor, materials, and/or equipment used or reasonably required for use in the performance of the said Work, labor and materials,

being construed to include that part of water, gas, power, light, heat, oil, gasoline, telephone service or rental of equipment directly applicable to the said AGREEMENT and/or Contract and any modifications thereof.

2. The above named Principal and Surety hereby jointly and severally agree with the Town that every claimant as herein defined, who has not been paid in full before the expiration of a period of ninety (90) days after the date on which the last of such claimant's work or labor was done or performed, or materials or equipment were furnished by such claimant, may sue on this bond for the use of such claimant, prosecute the suit to final judgment for such sum or sums as may be justly due claimant, and have execution thereon. The Town shall not be liable for the payment of any costs or expenses of any such suit.
3. No suit or action shall be commenced hereunder by a claimant,
 - (a) Unless claimant, other than one having a direct contract with the Principal, shall have given written notice to any two of the following: The Principal, the Town or the Surety above named, within ninety (90) days after such claimant did or performed the last of the work or labor, or furnished the last of the materials or equipment for which said claim is made, stating with substantial accuracy the amount claimed and the name of the party to whom the materials or equipment were furnished, or for whom the work or labor was done or performed. Such notice shall be served by mailing the same by registered mail or certified mail, postage prepaid, in an envelope addressed to the Principal, Town, or Surety at any place where an office is regularly maintained for the transaction of business, or served in the state in which the said Work is located, save that such service need not be made by a public officer;
 - (b) After the expiration of one (1) year following the date on which the Principal ceased work on said AGREEMENT and/or Contract and any modifications thereof, it being understood, however, that if any limitation shall be deemed to be amended so as to be equal to the minimum period of limitation permitted by such law.
 - (c) Other than in a state court of competent jurisdiction in and for the county or other political subdivision of the state in which the said Work, or any part thereof, is situated, or in the United States District Court for the district in which the said Work, or any part thereof, is situated, and not elsewhere.
4. The amount of this bond shall be reduced by and to the extent of any payment or payments made in good faith hereunder, inclusive of the payment by Surety of mechanics liens which may be filed of record against said AGREEMENT and/or Contract or said Work, whether or not claim for the amount of such lien be presented under and against this bond.

The Surety, for value received, agrees further that no changes in, omissions from, or alterations, modifications or additions to the terms and provisions of said AGREEMENT and/or Contract or the Work to be performed thereunder, and that no extensions of time given or changes made in the manner or time of making payments thereunder, shall in

any way affect the Surety's obligations on this Bond, and the Surety hereby waives notice of any such changes, omissions, alterations, modifications, additions or extensions.

IN WITNESS WHEREOF, we have hereunto set our hands and seals to _____ counterparts of this Bond, this _____ day of _____ in the year Two Thousand and Seventeen.

(NOTE:

If the Principal (Contractor) is a partnership, the Bond should be signed by each of the partners.

_____(Seal)
Principal

_____(Seal)
Principal

If the Principal (Contractor) is a corporation, the Bond should be signed in its correct corporate name by its duly authorized officer or officers.

_____(Seal)
Principal

If this Bond is signed on behalf of the Surety by an attorney-in-fact, there should be attached to it a duly certified copy of his power of attorney showing his authority to sign such Bonds.

_____(Seal)
Surety

_____(Seal)
Surety

There should be executed an appropriate number of counterparts of the Bond corresponding to the number of counterparts of the AGREEMENT.)

_____(Seal)
Surety

Certificate of Acknowledgment of Contractor if a Corporation

For CONTRACT BONDS

State of _____)

SS:

County of _____)

On this _____ day of _____, 20____,

before me personally came _____

to me known, who being by me duly sworn, did depose and say as follows:

That he resides at _____

and is the _____

of _____

the corporation described in and which executed the foregoing instrument; that he knows the corporate seal of said corporation; that the seal affixed to the foregoing instrument is such corporate seal and it was so affixed by order of the Board of Directors of said corporation; and that by the like order he signed thereto his name and official designation.

Notary Public (Seal)

My commission expires: _____

SECTION 5
SPECIFICATIONS

**SECTION 5
SPECIFICATIONS**

ITEM 1 - BITUMINOUS CONCRETE - IN PLACE

- 1.1 All materials shall be manufactured, furnished and delivered in place in accordance with the most recent provisions for materials and methods as specified in “Standard Specifications for Highways and Bridges,” Commonwealth of Massachusetts, Department of Public Works, 1988 edition, as amended and corrected. All bituminous concrete shall meet the specifications for the current job mix formula for each type of bituminous concrete to be furnished.
- 1.2 Section 420 and Section 460 of the above specifications shall be deemed applicable to work being performed in the Town of Greenfield except as noted and modified herein.
- 1.3 The term “Engineer” used in the Section 460 shall mean the Town Engineer for the Greenfield Department of Public Works, acting directly or through an authorized representative, such representative acting within the scope of the particular duties entrusted to him. The term “Department” shall mean the Department of Public Works, Greenfield, Massachusetts.
- 1.4 The use of pneumatic-tired rollers and/or vibratory steel drum rollers will not be required.
- 1.5 The contractor shall provide all labor, material and equipment to perform the required work to include cleaning of surfaces in preparation of paving.
- 1.6 The contractor shall observe and practice all required safety standards including warning signs.
- 1.7 No prime coating will be required and may be deleted from the specification.
- 1.8 The top course of pavement shall be laid with a variable screed, rubber tired paver having adjustable extensions.

ITEM 2 - BITUMINOUS CONCRETE CURB – TYPE 2

- 2.1 All materials shall be manufactured, furnished and delivered in place in accordance with the most recent provisions for materials and methods as specified in “Standard Specifications for Highways and Bridges,” Commonwealth of Massachusetts, Department of Public Works, 1988 edition, as amended and corrected.
- 2.2 Section 500 of the above specifications shall be deemed applicable to work being performed in the Town of Greenfield except as noted and modified herein.
- 2.3 The term “Engineer” used in Section 500 shall mean the Town Engineer for the Greenfield Department of Public Works, acting directly or through an authorized representative, such representative acting within the scope of the particular duties entrusted to him. The term “Department” shall mean the Department of Public Works, Greenfield, Massachusetts.

ITEMS 3 & 4 - ADJUSTMENT OF EXISTING STRUCTURES

General: The Contractor shall furnish all labor, materials and equipment and shall do all work necessary to adjust existing drainage structures, sewer manholes, valve boxes and curb boxes as indicated on the plans or as directed by the Engineer.

The work shall consist of adjusting line and/or pitch of the existing frames or boxes including removal, replacement or addition of brick, mortar and concrete.

All structures shall be raised before the placement of the top course of pavement and shall be set to the proposed grade of this final pavement. The final top course paving shall not commence until the Engineer has approved the work under this section.

The Contractor shall be responsible for notifying and coordinating with the appropriate utility when there is a non-town owned structure to be adjusted, to include WMECO, Verizon and Berkshire Gas Co.

The Contractor shall be responsible for cleaning up and removing all material, to include brick, mortar, concrete, and asphalt, that falls into any structure during the course of this work.

Drainage and Sewer Structures Adjusted: The Contractor shall remove and reset to within 1/8" of proposed grade and pitch, all structures as directed by the ENGINEER and as shown on the enclosed details.

All frames removed shall be cleaned of all dirt and mortar.

All underlying loose mortar and masonry units shall be removed. The masonry units shall be cleaned of all dirt and mortar and replaced with all joints between adjacent units being completely filled with new mortar.

Bricks, when required, shall be set in a full bed of new mortar and all joints shall be filled with new mortar.

All frames shall be set in a full bed of mortar so that the space between the top of the masonry and the bottom flange of the frame shall be completely filled and made watertight. All frames shall be centered on the underlying structure unless otherwise directed by the Engineer.

The bricks shall be sound, hard and uniformly burned brick, regular and uniform in shape and size, of compact texture and satisfactory to the Engineer. Brick shall comply with the ASTM Standard Specification for Sewer and Manhole Brick (made from clay or shale), Designation C32-73, for Grade SS, hard brick, except that the mean of five tests for absorption shall not exceed eight percent by weight.

Rejected brick shall be immediately removed from the work.

The mortar shall be composed of Portland cement, hydrated lime and sand, in which the volume of sand shall not exceed three times the sum of the volumes of cement and lime.

The proportions of cement and lime shall be approved and may vary from 1:1/4 for dense hard-burned brick to 1:3/4 for softer brick. In general, mortar for Grade SS brick shall be mixed in the proportions of 1:1/2 – 4:1/2.

Cement shall be Type II Portland cement as specified for concrete masonry.

Water Gate Boxes Adjusted: The Contractor shall excavate, raise and reset to within 1/8” of proposed line and grade, all water gate boxes as directed by the Engineer.

The work shall consist of adjusting line and/or grade of the existing boxes including excavating, raising and pouring new concrete collars in accordance with the enclosed detail titled: “Concrete Collar for Gate Boxes.”

Gravel Base Restoration: The Contractor, after properly raising the structure, shall restore the gravel road base before the placement of the cement concrete collar. Compaction shall be by mechanical means to 95 percent of the maximum dry density in conformance with Section 400 of the Standard Specifications.

Gravel shall be salvaged from the existing base and reused as base course. When extra gravel is necessary it shall conform to Section M1.03.1, Processed Gravel, Standard Specifications.

Cement Concrete Collars: The Contractor shall pour and properly cure concrete collars for both sewer and drain structures, as well as water gate boxes. This work shall conform to the enclosed details.

Cement concrete for the proposed collars shall conform to Section M4 of the Standard Specifications for Highway and Bridges, 1988 edition, Massachusetts Department of Public Works. All cement concrete for water gate box collars shall be 4000 PSI, High Early Mix.

Placement and curing of cement concrete shall conform to all applicable requirements of Section 900 of said Standard Specifications.

ITEMS 5, 6, 7, 8, 9, 10, & 11 – FURNISHING NEW CASTINGS

Inadequate Castings: If, in the opinion of the Engineer, any castings (either covers, frames and grates, or water gate or curb boxes) are inadequate, the Contractor shall be responsible for furnishing and delivering to the site new castings to replace them. Castings shall conform to the enclosed detail sheets from East Jordan Iron Works or approved equal, attached at the end of this section.

The Contractor shall excavate and remove the inadequate casting and replace it with the provided new casting. The inadequate castings shall be set aside for salvage by the Town.

For payment purposes, a casting removed and replaced with one provided by the Contractor, will be compensated at the same price as a casting removed and reset under the appropriate bid item.

Submittals: The Contractor shall submit shop drawings for all castings to be furnished and shall not proceed with replacing castings until all submittals have been received and approved by the Owner. If the Contractor proceeds with this work without prior approval, they do so at their own risk and expense.

ITEM 12 – COLD PLANING BITUMINOUS CONCRETE

- 12.1 The work consists of removing 0”-3” of bituminous concrete by cold planer in designated areas on various streets. The cold planer operation shall conform to the specifications set forth in Section 120.66 of the Commonwealth of Massachusetts Department of Public Works, Standard Specifications for Highways and Bridges, 1988 edition, as amended and corrected. The cold planer must meet all weight requirements for work on bridge decks.
- 12.2 The ground up pavement shall be removed and disposed of by the Contractor in accordance with the Department of Environmental Protection regulations.
- 12.3 The amount of bituminous concrete planed shall be based upon the directions of the Engineer or his representative.

ITEM 13 – UNSUITABLE MATERIALS EXCAVATION

General: The Contractor shall furnish all labor and equipment and shall do all work necessary to excavate unsuitable materials as directed by the Engineer.

ITEM 14 – GRANULAR BORROW

- 14.1 General. The Granular Borrow shall conform to the specifications set forth in the following sub-sections, and must be approved by the Engineer prior to placement.
- 14.2 Granular Borrow. Granular Borrow shall consist of clean, inert, hard, durable grains of quartz or other hard durable rock, free from loam or clay, surface coatings and deleterious materials. The allowable amount of material passing a No.200 sieve as determined by AASHTO-TII shall not exceed 10 percent by weight. The maximum particle size for Granular Borrow shall be ¼ inch.
- 14.3 Placing and Compacting. The Granular Borrow shall be spread in layers of uniform thickness not exceeding 8 inches before compaction and moistened or allowed to dry as directed. Then it shall be thoroughly compacted by means of suitable power driven tampers or other power driven equipment.

ITEM 15 – STRUCTURES REMODELED

General: The Contractor shall furnish all labor, materials and equipment and shall do all work necessary to remodel sewer or drain structures as directed by the Engineer.

The work shall consist of removing castings and deteriorated masonry until a clean sound base is obtained upon which concrete blocks and clay bricks may be used to rebuild the structure.

The remodeling shall conform to the Commonwealth of Massachusetts Department of Public Works Standard Specifications for Highways and Bridges, 1988 edition, applicable parts of Section 201.

ITEM 16 – TACK COAT

General: The Contractor shall furnish all labor, materials and equipment and shall do all work necessary to apply Asphalt Emulsion “Tack Coat” as directed by the Engineer.

All pavement surfaces shall be tack coated immediately prior to placing each HMA lift. HMA placed over milled surfaces shall be tack coated at an application rate of 0.07 gallon per square yard. HMA placed over smooth pavements (unmilled) shall be tack coated at an application rate of 0.05 gallons per square yard.

Tack coat shall conform to the requirements of M3.11.06 of the Commonwealth of Massachusetts Department of Public Works Standard Specifications for Highways and Bridges, 1988 edition, as amended and corrected.

The existing surface shall be cleaned of all foreign matter and loose material and shall be dry before the tack coat is placed.

ITEM 18 – BITUMINOUS CONCRETE DRIVEWAY APRONS

General. The Contractor shall furnish all labor, materials, tools, and equipment necessary to construct bituminous concrete driveway aprons as indicated on the drawings or directed by the Engineer and as herein specified.

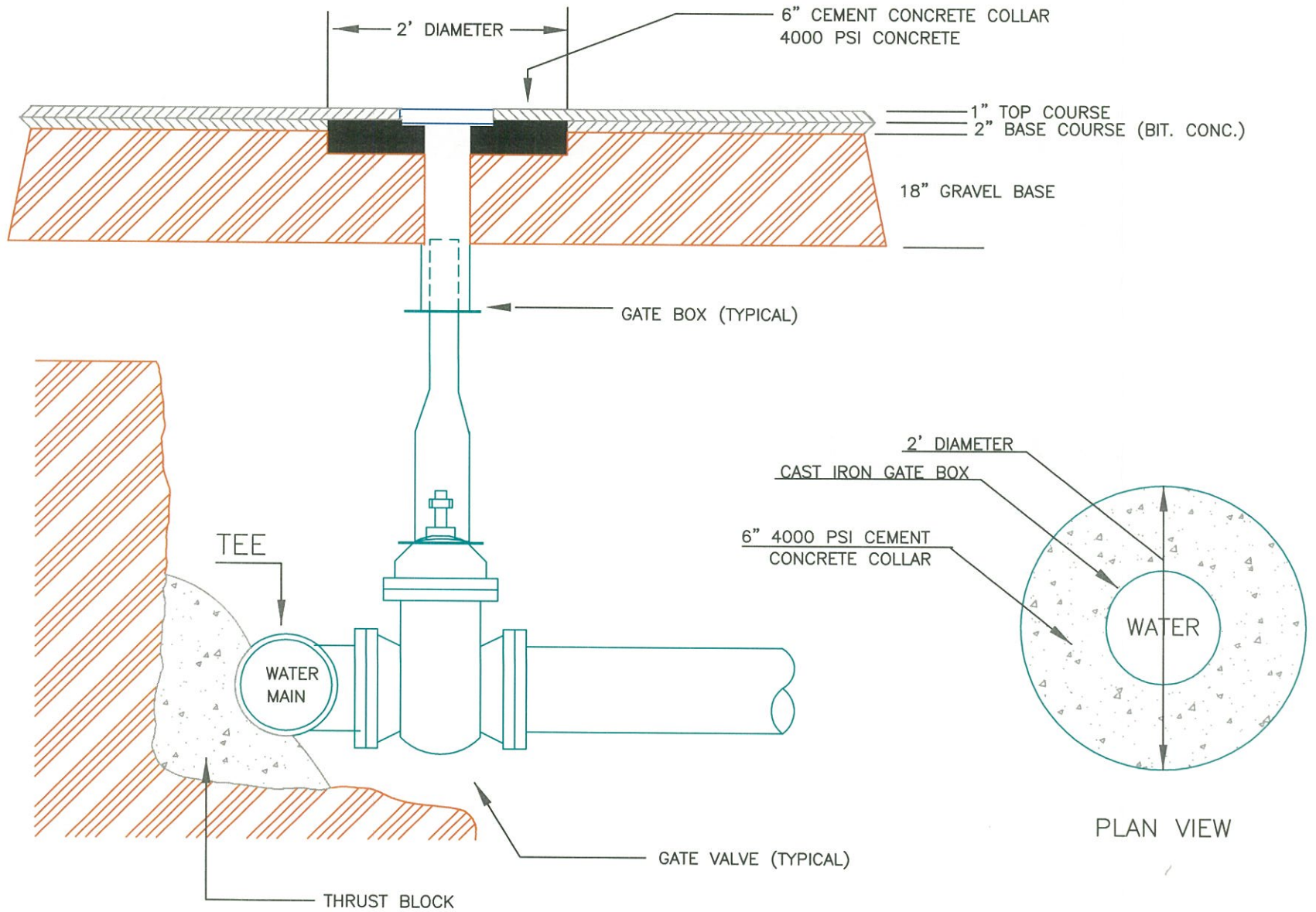
Prior to paving, the Contractor shall prepare the driveway apron surface by sweeping or milling if necessary and placing tack coat in accordance with the specifications herein provided.

Pavement shall be placed so that the whole area will have a true and uniform surface and will conform to the proper grade and cross section.

The paving plant used by the Contractor in preparation of the bituminous concrete shall be acceptable to the Engineer who shall have the right to inspect the plant and making of the material.

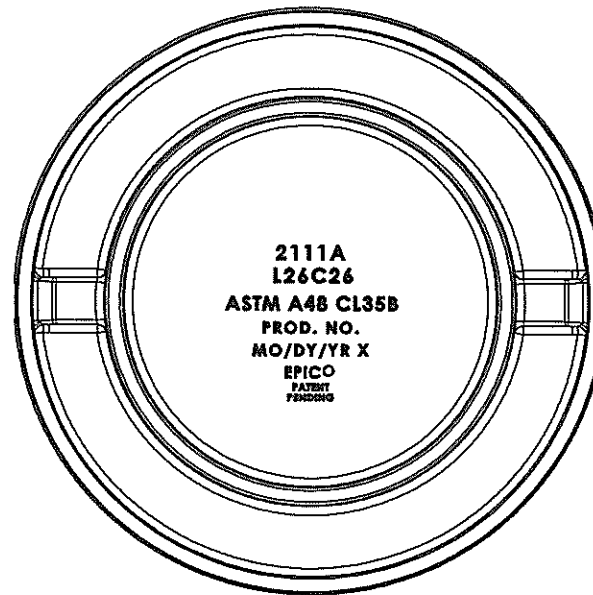
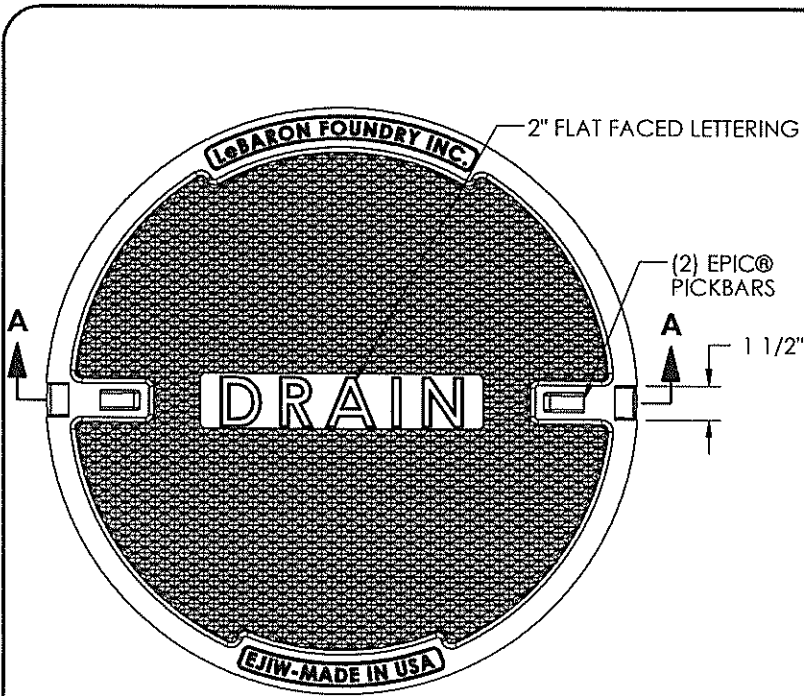
All manhole covers, catch basin grates, and valve and meter boxes within a driveway apron shall be adequately protected and adjusted to grade in accordance with the specifications herein provided.

Bituminous Concrete. Bituminous concrete shall conform to the specifications set forth by the applicable subsections of the Commonwealth of Massachusetts, Department of Public Works, Standards Specifications for Highways and Bridges, 1988 edition, as amended and corrected. Pavement thickness shall be equal to a 2 ½ -inch base course (if necessary) and a 1 ½ -inch top course.

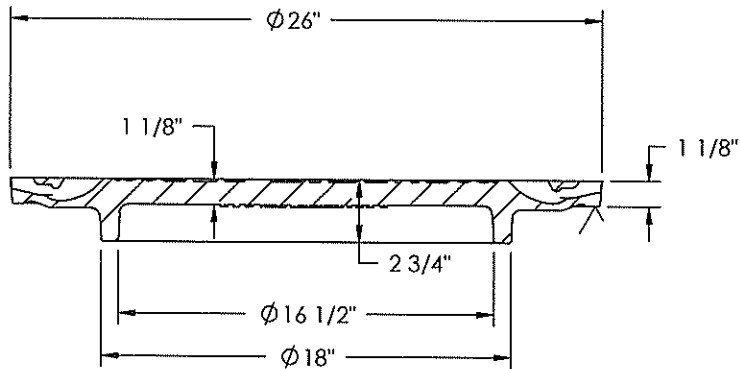


CONCRETE COLLAR FOR GATE BOXES

TYPICAL DETAILS



BOTTOM VIEW



SECTION A-A

CONFIDENTIAL: This drawing is the property of East Jordan Iron Works, Inc. and embodies confidential information, trade secret information, and/or know how that is the property of East Jordan Iron Works, Inc. © Copyright 2008 East Jordan Iron Works, Inc.

EJIW EAST JORDAN
IRON WORKS EST. 1883

800-626-4653

www.ejiw.com

MADE IN USA

PRODUCT NUMBER

00211125

CATALOG NUMBER

2111A

COVER

LOAD RATING

HEAVY DUTY

COATING

UNDIPPED

SPECIFICATION

GRAY IRON

ASTM A48 CL35B

OPEN AREA

N/A

✓ DESIGNATES
MACHINED SURFACE

DRAWN

JIJ

DATE

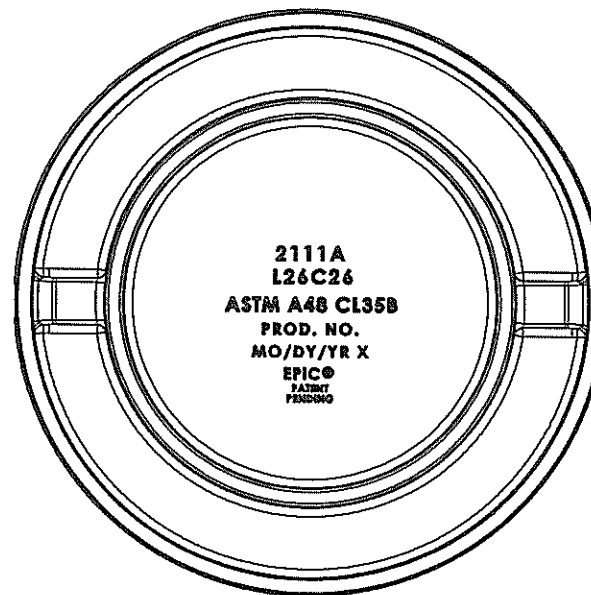
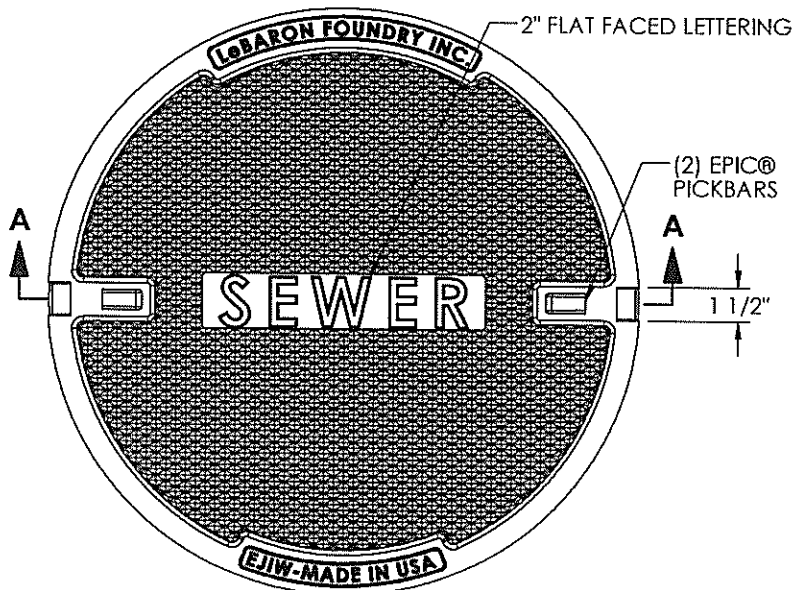
07/22/08

LAST REVISED

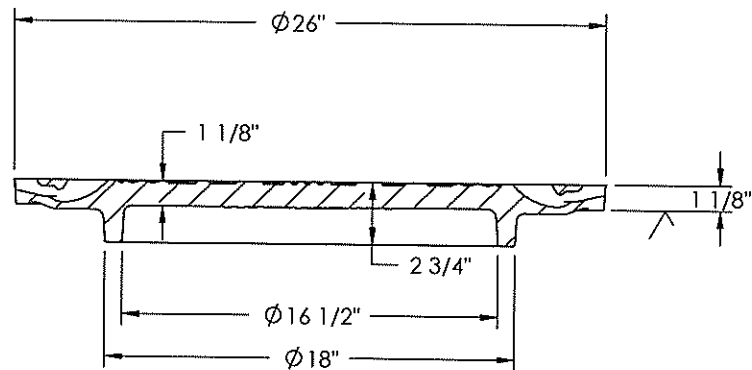
JIJ

DATE

11/17/09



BOTTOM VIEW



SECTION A-A

CONFIDENTIAL: This drawing is the property of East Jordan Iron Works, Inc. and embodies confidential information, trade secret information, and/or know how that is the property of East Jordan Iron Works, Inc. © Copyright 2008 East Jordan Iron Works, Inc.

EJIW EAST JORDAN
IRON WORKS EST. 1883

800-626-4653

www.ejiw.com

MADE IN USA

PRODUCT NUMBER

00211123

CATALOG NUMBER

2111A

COVER

LOAD RATING

HEAVY DUTY

COATING

UNDIPPED

SPECIFICATION

GRAY IRON

ASTM A48 CL35B

OPEN AREA

N/A

√ DESIGNATES
MACHINED SURFACE

DRAWN

JIJ

DATE

07/22/08

LAST REVISED

JIJ

DATE

07/22/08

EJIW EAST JORDAN
IRON WORKS EST. 1883

800-626-4653

www.ejiw.com

MADE IN USA

PRODUCT NUMBER

00226611

CATALOG NUMBER

2266Z

FRAME

LOAD RATING

HEAVY DUTY

COATING

UNDIPPED

SPECIFICATION

FRAME-GRAY IRON
ASTM A48 CL35B

OPEN AREA
N/A

√ DESIGNATES
MACHINED SURFACE

DRAWN

DEW

DATE

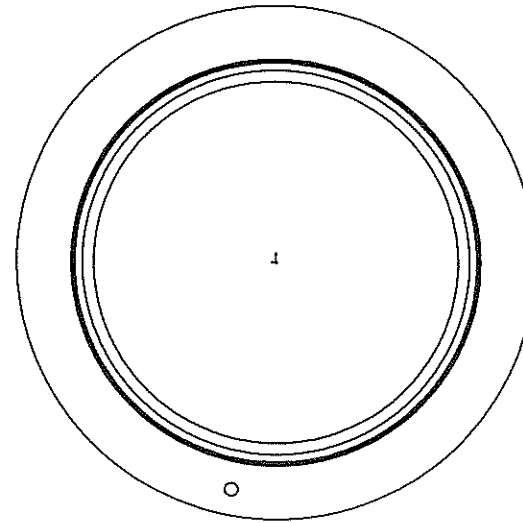
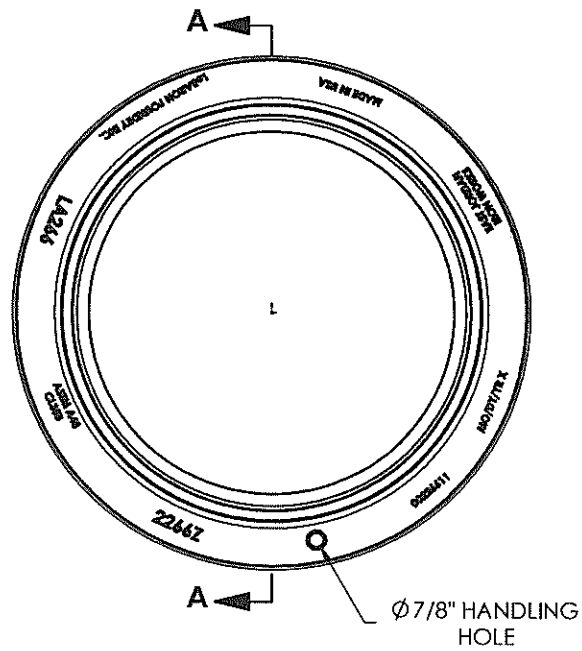
3/17/2009

LAST REVISED

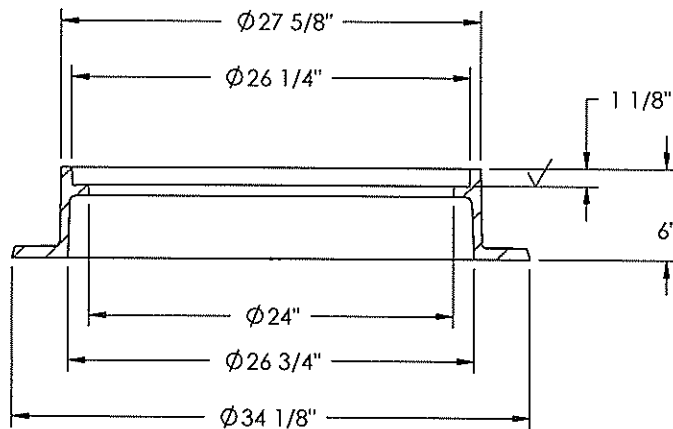
DEW

DATE

9/1/2009

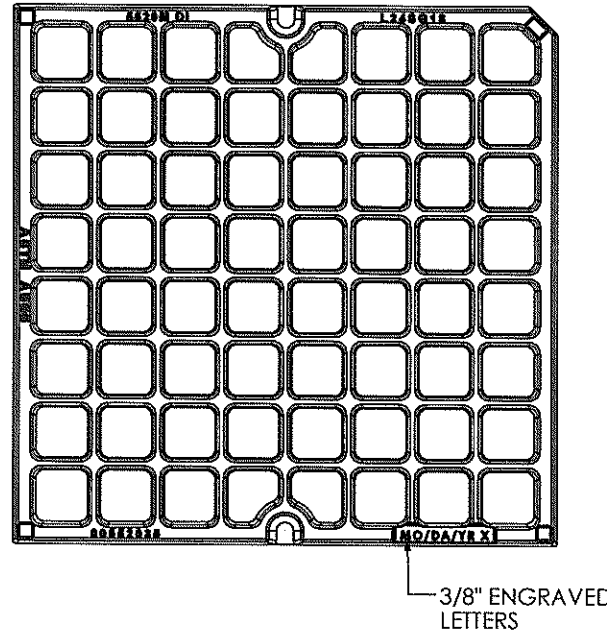
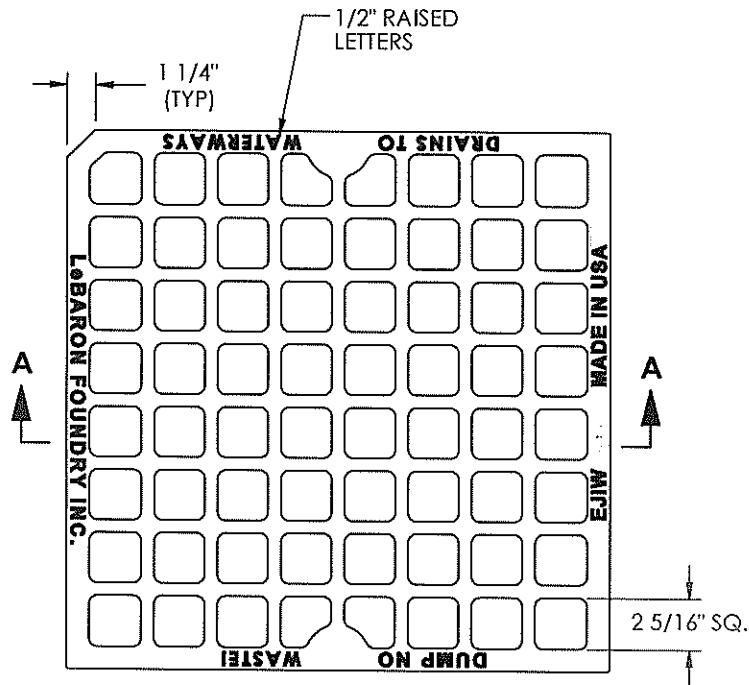


BOTTOM VIEW

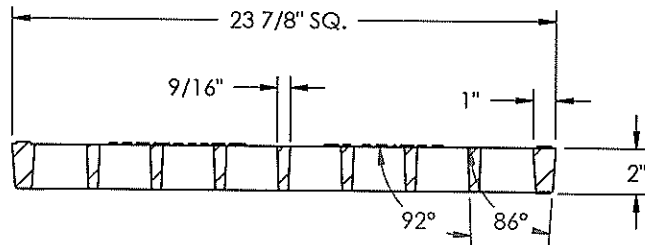


SECTION A-A

CONFIDENTIAL: This drawing is the property of East Jordan Iron Works, Inc. and embodies confidential information, trade secret information, and/or know how that is the property of East Jordan Iron Works, Inc. © Copyright 2009 East Jordan Iron Works, Inc.



BOTTOM VIEW



SECTION A-A

CONFIDENTIAL: This drawing is the property of East Jordan Iron Works, Inc. and embodies confidential information, trade secret information, and/or know how that is the property of East Jordan Iron Works, Inc. © Copyright 2008 East Jordan Iron Works, Inc.

EJIW EAST JORDAN

800-626-4653

www.ejiw.com

MADE IN USA

PRODUCT NUMBER

00552035

CATALOG NUMBER

5520M DI

GRATE

LOAD RATING

HEAVY DUTY

COATING

UNDIPPED

SPECIFICATION

**GRATE - DUCTILE IRON
ASTM A536**

OPEN AREA
309

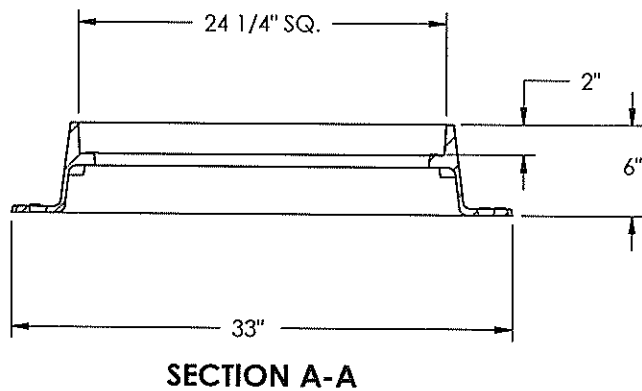
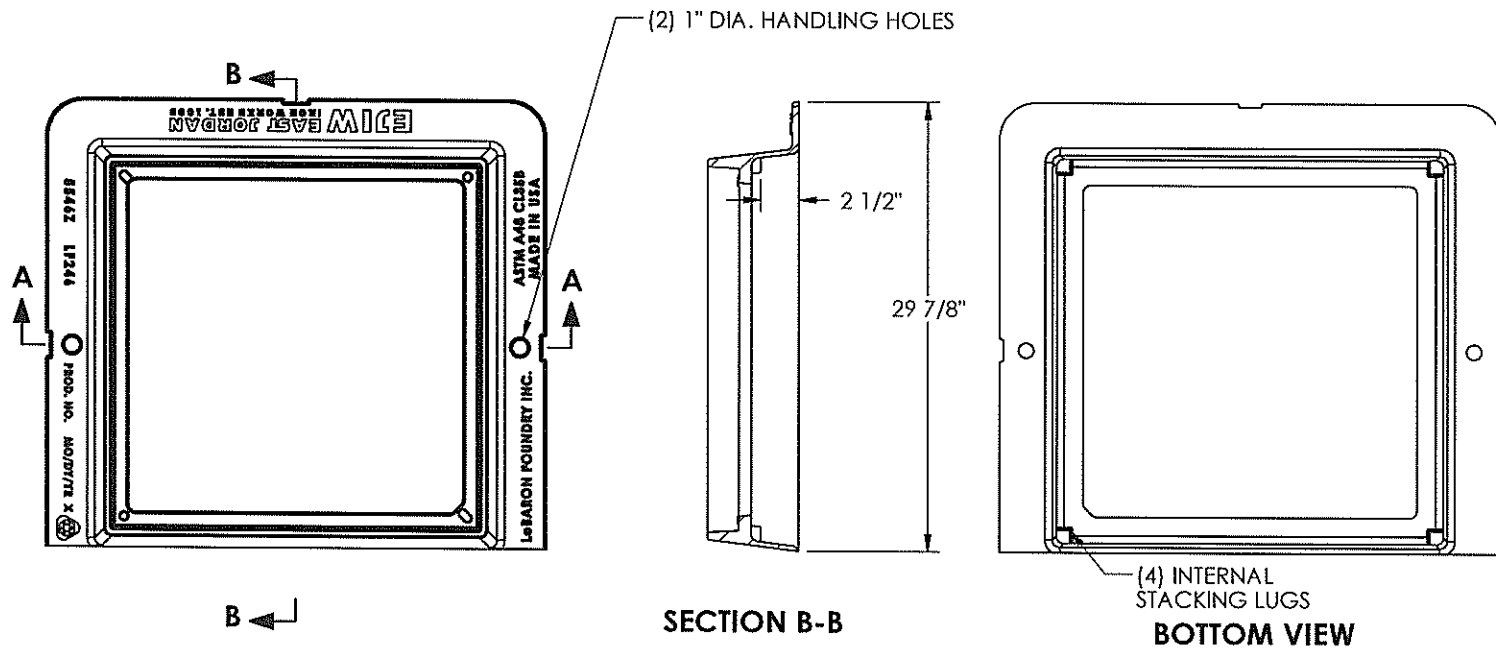
DESIGNATES
MACHINED SURFACE

DRAWN TWR	DATE 4/10/2008
--------------	-------------------

LAST REVISED ALP	DATE 1/22/2009
---------------------	-------------------

REFERENCE INFORMATION

**00552035.1C
00552035.1D**



CONFIDENTIAL: This drawing is the property of East Jordan Iron Works, Inc. and embodies confidential information, trade secret information, and/or know how that is the property of East Jordan Iron Works, Inc. © Copyright 2008 East Jordan Iron Works, Inc.

EJIW EAST JORDAN
IRON WORKS EST. 1883

800-626-4653

www.ejiw.com

MADE IN USA

PRODUCT NUMBER

00554613

CATALOG NUMBER

5546Z

FRAME

LOAD RATING

HEAVY DUTY

COATING

UNDIPPED

SPECIFICATION

GRAY IRON

ASTM A48 CL35B

OPEN AREA

N/A

√ DESIGNATES
MACHINED SURFACE

DRAWN

JIJ

DATE

07/10/08

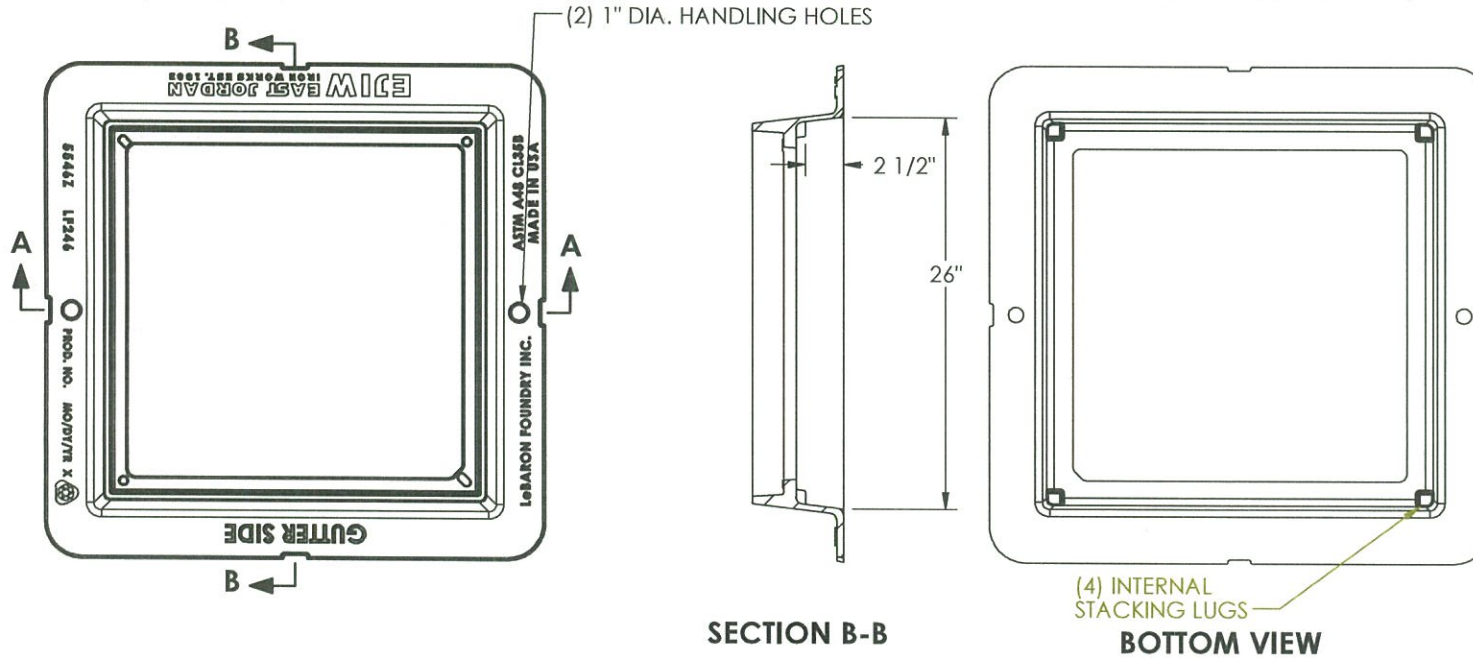
LAST REVISED

DEW

DATE

05/27/09

5546Z FLG4 FRAME



PRODUCT NUMBER

00554611

DESIGN FEATURES

MATERIALS

FRAME-GRAY IRON
ASTM A48 CL35B

DESIGN LOAD
HEAVY DUTY

COATING
UNDIPPED

OPEN AREA

✓ DESIGNATES MACHINE SURFACE

Corporate
Headquarters
301 Spring Street
PO Box 439
East Jordan, MI
49727-0439
800.874.4100



Call Today for
More Information

800.626.4653

EJIW EAST JORDAN
IRON WORKS EST. 1883
WE COVER YOUR INFRASTRUCTURE®

www.ejiw.com
MADE IN THE USA

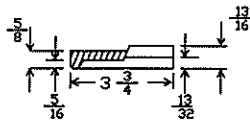
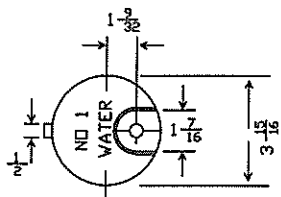
DRAWING DETAILS

ORIGINAL DRAWING: JJJ 7/10/2008

REVISED BY: DEW 3/30/2011

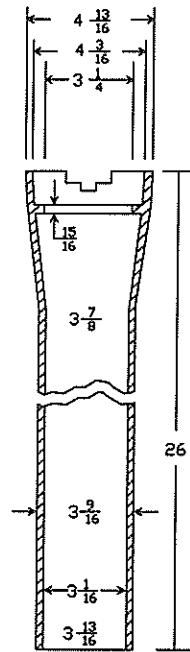
•Weights (lbs./kg.) dimensions (inches/mm.), and drawings provided for your guidance.
•We reserve the right to modify specifications without prior notice.
•Uncontrolled distribution.

CONFIDENTIAL: This drawing is the property of East Jordan Iron works, Inc., and embodies confidential information, registered marks, trade secret information, and/or know how that is the property of East Jordan Iron Works, Inc. ©Copyright 2009 East Jordan Iron Works, Inc.



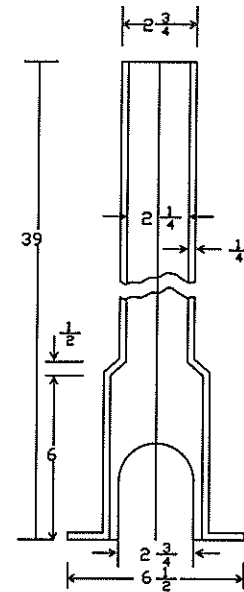
SERVICE BOX
NO. 1 RECESSED LID

Item	Description	Wt.
No. 1	Lid	1.4



SERVICE BOX
SLIP TYPE TOP SECTION

Description	Wt.
Top Less Lid	19



SERVICE BOX
SLIP TYPE TOP SECTION

Description	Wt.
Top Less Lid	19

CURB BOX

FOR 1 1/2" SERVICE AND SMALLER

ROAD BOX

FOR 2" SERVICE AND LARGER

348.2 CURB BOXES. Curb boxes shall be heavy (New England Pattern) cast iron and shall be of 2 1/2 inch diameter. They shall be two (2) section boxes of the sliding type.

The top section shall be 24-inches long and the cover shall fit flush with the top of the box rim. The cover and top section shall be the Classon type. The cover shall have the word "Water" cast on it.

The bottom section shall have adequate length to fit the trench conditions and shall be adjustable through at least 6-inches vertically without reduction of lap between sections to less than 4-inches. the bottom shall be of the arch type.

SECTION 6
SPECIAL CONDITIONS

SECTION 6 SPECIAL CONDITIONS

- 6.1 Construction Warning Signs. All construction warning signs shall be erected in accordance with the Manual on Uniform Traffic Control Devices for Streets and Highways. All construction warning signs shall be erected and maintained by the Contractor at their own expense.
- 6.2 Traffic Control. For control of moderate traffic, the Contractor shall provide an adequate number of flagmen employed at his own expense.

Whenever and wherever, in the opinion of the Engineer, traffic is sufficiently congested or public safety is endangered, the Contractor shall be responsible for furnishing uniformed special officers to direct traffic and to keep traffic off the highway area affected by construction operations. Such officers shall be in addition to the watchmen, required under other provisions of the contract. The Owner shall be responsible for payment of all uniformed special officers. The Contractor shall be responsible for scheduling all uniformed special officers a minimum of 24 hours in advance and for submitting all detail slips to the DPW.

The employment or presence of traffic flagmen, special officers, or police shall, in no way, relieve the Contractor of any responsibility or liability, which is his under the terms of the Contract.

- 6.3 Traffic Control Signs. The Owner will provide traffic control signage as required for the paving operation to include detour and road closing signs. Where streets are to be closed, detour signage will be set up by the Contractor at the direction of the Engineer. Where one-lane traffic is required, signage will be placed in accordance with the M.U.T.C.D. Police and/or flagmen will be used as directed by the Owner.

The Contractor shall be responsible for providing “Bump” signs at all joints.

- 6.4 Construction Plan. One week before commencement of construction, the Contractor shall present a construction plan, in writing, outlining a proposed schedule, hours of operation, sequence of operations and uniformed special officer needs.
- 6.5 Contractor Responsibility. During all other aspects of the paving operation i.e. structure removal or raising, the Contractor shall provide and place all signage required in accordance with the M.U.T.C.D. for work zone protection. The structure operation shall be set up to affect only one travel lane at a time.
- 6.6 Work Schedule. The Contractor shall perform all Work between the hours of 6:00a.m. to 5:00p.m., Monday through Friday. No work shall be allowed on weekends or holidays unless prior approval is granted by the Engineer/Owner.

- 6.7 Monthly Price Adjustment for Hot Mix Asphalt (HMA) Mixtures. The Price Adjustment for HMA will be based on the variance in price for the liquid asphalt component only from the Base Price, which is listed in Section 1 – Information for Bidders, to the Period Price. It shall not include transportation or other charges. This Price Adjustment will occur on a monthly basis.

The Period Price will be based on the “New Asphalt Period Price Method” posted each month on the MassDOT website at <http://www.mhd.state.ma.us/>. The “New Asphalt Period Price Method” is for contracts bid after December 15, 2008 and will show the Period Price of liquid asphalt for each monthly period as determined by MassDOT using the average selling price per standard ton of PG64-28 paving grade (primary binder classification) asphalt, FOB manufacturer’s terminal, as listed under the “East Coast Market – New England, Boston, Massachusetts area” section of the Poten & Partners, Inc. “Asphalt Weekly Monitor”. Poten and Partners has granted MassDOT the right to publish this specific asphalt price information sourced from the Asphalt Weekly Monitor.

The Contract price of the hot mix asphalt mixture will be paid under the respective item in the Contract. The price adjustment, as herein provided, upwards or downwards, will be made after the work has been performed, using the monthly period price for the month during which the work was performed.

The Price Adjustment applies only to the actual virgin liquid asphalt content in the mixture placed on the job. The Price Adjustment will be a separate payment item. It will be determined by multiplying the number of tons of hot mix asphalt mixtures placed during each monthly period times the liquid asphalt content percentage times the variance in price between Base Price and Period Price of liquid asphalt. This Price Adjustment will be paid only if the variance from the Base Price is 5% or more for a monthly period. The complete adjustment will be paid in all cases with no deduction of the 5% from either upward or downward adjustments. No Price Adjustment will be allowed beyond the completion date of this Contract, unless there is an approved extension of time.

- 6.8 Monthly Price Adjustment for Diesel Fuel and Gasoline. This adjustment will be based on fuel usage factors for various items of work developed by the Highway Research Board in Circular 158, dated July 1974. These factors will be multiplied by the quantities of work done in each item during each monthly period and further multiplied by the variance in price from the Base Price, which is listed in Section 1 – Information for Bidders, to the Period Price.

The Period Price of diesel fuel and gasoline will be the average of prices charged to the State, including State Tax for the bulk purchases made during each month. This Price Adjustment will be paid only if the variance from the Base Price is 5% or more for a monthly period. The complete adjustment will be paid in all cases with no deduction of the 5% from either upward or downward adjustments. No Price Adjustment will be allowed beyond the completion date of this Contract, unless there is an approved extension of time.

Any adjustment (increase or decrease) to estimated quantities made to each item at the time of final payment will have the fuel price adjustment figured at the

average period price for the entire term of the project for the difference of quantity.

The fuel price adjustment will apply only to the following items of work at the fuel factors shown:

ITEMS COVERED	FUEL FACTORS	
	Diesel	Gasoline
Excavation and Borrow Work: Items 14 and 15	0.29 Gallons/CY	0.15 Gallons/CY
Surfacing Work: All Items containing Hot Mix Asphalt	2.90 Gallons/Ton	Does Not Apply

- 6.9 Progress Payments. Progress payments will be made in amount equal to 95 percent of the Work completed with the balance being retainage but, in each case, less the aggregate of payments previously made.
- 6.10 Final Payment. Upon final completion and acceptance of the Work, the Owner shall pay the remainder of the Contract Price.

SECTION 7
GENERAL CONDITIONS

**SECTION 7
GENERAL CONDITIONS**

	<u>TITLE</u>	<u>PAGE</u>
7.1	Definitions	46
7.2	The Contract Documents	46
7.3	Obligations and Liability of Contractor	46-48
7.4	Supervision of Work	48
7.5	Patents	48
7.6	Compliance with Laws	48-49
7.7	Provisions Required by Law Deemed Inserted	49
7.8	Permits	49
7.9	Not to Sublet or Assign	49
7.10	Delay by Town	49
7.11	Time for Completion	49-50
7.12	Liquidated Damages	50
7.13	Employ Sufficient Labor and Equipment	50
7.14	Intoxicating Liquors	50
7.15	Access to Work	50
7.16	Examination and Inspection of Work	50
7.17	Defective Work, Etc.	50-51
7.18	Protection Against Water and Storm	51
7.19	Right to Materials	51
7.20	Changes	51
7.21	Extra Work	51-52
7.22	Extension of Time on Account of Extra Work	53
7.23	Change Not to Affect Bonds	53
7.24	Claims for Damages	53
7.25	Abandonment of Work or Other Default	53-54
7.26	Prices for Work	54
7.27	Monies May Be Retained	54
7.28	Formal Acceptance	54
7.29	Progress Estimates	54-55
7.30	Partial Acceptance	55
7.31	Final Estimate and Payment	55
7.32	Liens	55-56
7.33	Claims	56
7.34	Application of Monies Retained	56
7.35	No Waiver	56
7.36	Liability of Town	56
7.37	Guarantee	56-57
7.38	Retain Money for Repairs	57
7.39	Cleaning Up	57
7.40	Legal Address of Contractor	57
7.41	Modification of Termination	57

7.1 **Definitions.** Wherever the words hereinafter defined or pronouns used in their stead occur in the Contract Documents, they shall have the following meanings:

The word "Owner" shall mean the Town of Greenfield.

The word "Contractor" shall mean the party of the second part above designated.

The word "Specifications" when used herein shall be deemed to refer to both the General and Detail Specifications.

The words "herein," "hereinafter," "hereunder," and words of like import shall be deemed to refer to the Contract Documents.

7.2 **The Contract Documents.** The AGREEMENT, the INFORMATION FOR BIDDERS, the Contractor's BID as accepted by the Town, the SPECIAL CONDITIONS, the GENERAL CONDITIONS, the TECHNICAL SPECIFICATIONS, the DRAWINGS, and all ADDENDA and AMENDMENTS to any of the foregoing collectively constitute the Contract Documents, and are sometimes herein referred to as the "Contract."

The Contract Documents are complementary, and what is called for by anyone shall be as binding as if called for by all. In the event of any conflict or inconsistency between the provisions of the SPECIAL CONDITIONS and the provisions of any of the other Contract Documents, the provisions of the SPECIAL CONDITIONS shall prevail. In the event of conflict or inconsistency between the provisions of the GENERAL CONDITIONS and the provisions of the Contract Documents other than the SPECIAL CONDITIONS, the provisions of the GENERAL CONDITIONS shall prevail.

7.3 **Obligations and Liability of Contractor.** The Contractor shall do all work and perform and furnish all the labor, services, materials, equipment, plant, machinery, apparatus, appliances, tools, supplies and all other things (except as otherwise expressly provided herein) necessary and as herein specified for the proper performance and completion of the Work in the manner and within the time hereinafter specified, in strict accordance with the Drawings, Specifications and other Contract Documents, in conformity with the directions and to the satisfaction of the Town, and at prices herein agreed upon therefor.

All parts of the Work and all fixtures, equipment, apparatus and other items indicated on the Drawings and not mentioned in the Specifications, or vice versa, and all work and material usual and necessary to make the work complete in all its parts, including all incidental work necessary to make it complete and satisfactory and ready for use and operation, whether or not they are indicated on the Drawings or mentioned in the Specifications, shall be furnished and executed the same as if they were called for both by the Drawings and by the Specifications.

The Contractor shall coordinate his operations with those of any other contractors who may be employed on other work of the Town, shall avoid interference therewith, and shall cooperate in the arrangements for storage of materials and equipment.

The Contractor shall conduct his work so as to interfere as little as possible with private business and public travel. Wherever and whenever necessary or required, he shall maintain fences, furnish watchmen, maintain lights, and take such other precautions as may be necessary to protect life and property.

The Contractor shall indemnify and save harmless the Town and its officers, agents, servants, and employees, from and against any and all claims, demands, suits, proceedings, liabilities, judgments, awards, losses, damages, cost and expenses, including attorneys' fees, on account of bodily injury, sickness, disease or death sustained by any person or persons or injury or damage to or destruction of any property, directly or indirectly arising out of, relating to or in connection with the Work, whether or not due or claimed to be due in whole or in part to the active, passive or concurrent negligence or fault of the Contractor, his officers, agents, servants or employees, any of his subcontractors, the Town or any of its respective officers, agents, servants or employees and/or any other person or persons, and whether or not such claims, demands, suits or proceedings are just, unjust, groundless, false or fraudulent; and the Contractor shall and does hereby assume and agrees to pay for the defense of all such claims, demands, suit and proceedings.

The Contractor shall have complete responsibility for the Work and the protection thereof, and for preventing injuries to persons and damage to the Work and property and utilities on or about the Work, until final completion and final acceptance thereof. He shall, in no way, be relieved of his responsibility by any right of the Town to give permission or directions relating to any part of the Work, by any such permission or directions given, or by failure of the Town to give such permission or directions. The Contractor shall bear all costs, expenses, losses and damages on account of the quantity or character of the Work or the nature of the land (including but not limited to subsurface conditions) in or under or on which the Work is done being different from the indicated or shown in the Contract Documents or from what was estimated or expected, or on account of the weather, elements, or other causes.

The Contractor shall conduct his operations so as not to damage existing structures or work installed either by him or by other contractors. In case of any such damage resulting from his operations, he shall repair and make good as new the damaged portions at his own expense with the consent of the damaged party. In the event that consent is not given, the Contractor shall continue liable for the damage caused.

The Contractor shall be as fully responsible to the Town for the acts and omissions of his subcontractors, their officers, agents, servants and employees as he is for his own acts and omissions and those of his own officers, agents, servants and employees.

Should the Contractor sustain any loss, damage or delay through any act or omission of any other contractor or any subcontractor of any such other contractor, the Contractor shall have no claim against the Town therefor, other than for any extension of time, but shall have recourse solely to such other contractor or subcontractor.

If any other contractor or any subcontractor of any such other contractor shall suffer or claim to have suffered loss, damage or delay by reason of the acts or omissions of the contractor or of any of his subcontractors, the Contractor agrees to assume the defense against any such claim and to reimburse such other contractor or subcontractor for such loss or damage. The Contractor agrees to and does hereby indemnify and save harmless the Town from and against any and all claims by such other contractors or subcontractors alleging such loss, damage or delay and from and against any and all claims, demands, suits, proceedings, liabilities, judgments, awards, losses, damages, cost and expenses, including attorneys' fees, arising out of, relating to or resulting for such claims.

The Contractor shall promptly pay all federal, state and local taxes which may be assessed against him in connection with the Work or his operations under the Contract, including, but not limited to, taxes attributable to the purchase of material and equipment, to the performance of services, and the employment of persons in the prosecution of the Work.

- 7.4 **Supervision of Work.** The Contractor shall be solely responsible for supervision of the Work, shall give the Work the constant attention necessary to ensure the expeditious and orderly progress thereof, and shall cooperate with the Town in every possible way.

At all times, the Contractor shall have as his agent on the Work a competent superintendent capable of reading and thoroughly understanding the Drawings and Specifications, with full authority to execute the directions of the Town, without delay, and to supply promptly such labor, services, materials, equipment, plant, apparatus, appliances, tools, supplies and other items as may be required. Such superintendent shall not be removed from the Work without the prior written consent of the Town. If, in the opinion of the Town, the superintendent or any successor proves incompetent, the contractor shall replace him with another person approved by the Town; such approval, however, shall, in no way, relieve or diminish the contractor's responsibility for supervision of Work.

Whenever the Contractor or his agent or superintendent is not present on any part of the Work where it may be necessary to give directions or instructions with respect to such work, such directions or instruction may be given by the Town to, and shall be received and obeyed by the foreman or any other person in charge of the particular work involved.

- 7.5 **Patents.** The Contractor shall indemnify and save harmless the Town and all persons acting for or on behalf of the Town from all claims and liability of any nature or kind, and all damages, cost and expenses, including attorneys' fees arising from or occasioned by an infringement or alleged infringement of any patents or patent rights on any invention, process, material, equipment, article or apparatus, or any part thereof, furnished and installed by the contractor, or arising from or occasioned by the use or manufacture thereof, including their use by the Town.

- 7.6 **Compliance with Laws.** The Contractor shall keep himself fully informed of all existing and future federal, state, and local laws, ordinances, rules, and regulations affecting those engaged or employed on the Work, the materials and equipment used in the Work or the conduct of the Work, and of all orders, decrees and other requirements of bodies or tribunals having any jurisdiction or authority over the same. If any discrepancy or inconsistency is discovered in the Drawings, Specifications or other Contract Documents in relation to any such law, ordinance rule, regulation, order, decree, or other requirement, the Contractor shall forthwith report the same to the Town in writing. The Contractor shall, at all times, observe and comply with, and cause all his agents, servants, employees and subcontractors to observe and comply with all such existing and future laws, ordinances, rules, regulations, orders, decrees and other requirements, and he shall protect, indemnify and save harmless the Town, its officers, agents, servants and employees, from and against any and all claims, demands, suits, proceedings, liabilities, judgments, penalties, losses, damages, costs and expenses, including attorneys' fees, arising from or based upon any violation or claimed violation of any such law, ordinance,

rule, regulation, order, decree or other requirement, whether committed by the Contractor or any of his agents, servants, employees or subcontractors.

- 7.7 **Provisions Required by Law Deemed Inserted.** Each and every provision of law and clause required by law to be inserted in the Contract shall be deemed to be inserted herein, and the Contract shall be read and enforced as though they were included herein. If through mistake or otherwise any such provision is not inserted, or is not correctly inserted, then upon the application of either party the Contract shall forthwith be physically amended to make such insertion.
- 7.8 **Permits.** The Contractor shall, at his own expense, take out and maintain all necessary permits from the county, municipal, or other public authorities; shall give all notices required by law; and shall post all bonds and pay all fees and charges incident to the due and lawful prosecution of the Work.
- 7.9 **Not to Sublet or Assign.** The Contractor shall constantly give his personal attention to the faithful prosecution of the Work, shall keep the same under his personal control, shall not assign the Contract or sublet the work or any part thereof without the previous written consent of the Town, and shall not assign any of the monies payable under the Contract, or his claim thereto, unless by and with the like written consent of the Town and the Surety on the Contract Bonds. Any assignment or subletting in violation hereof shall be void and unenforceable.
- 7.10 **Delay by Town.** The Town may delay the beginning of the Work or any part thereof if the necessary lands or rights of way for such work shall not have been obtained. The Contractor shall have no claim for additional compensation or damages on account of such delay, but shall be entitled only to an extension of time as hereinafter provided.
- 7.11 **Time for Completion.** The rate of progress shall be such that the Work shall be performed and completed in accordance with the Contract before the expiration of the time limit stipulated under INFORMATION FOR BIDDERS, except as otherwise expressly provided herein.

It is agreed that the rate of progress herein required has been purposely made low enough to allow for the ordinary and foreseeable delays incident to construction work of this character. No extension of time will be given for ordinary or foreseeable delays, inclement weather, or accidents, and the occurrence of such will not relieve the Contractor from the necessity of maintaining this rate of progress and completing the Work within the stipulated time limit.

If delays are caused by acts of God, acts of Government, unavoidable strikes, extra work, or other causes or contingencies clearly beyond the control or responsibility of the Contractor, the Contractor may be entitled to additional time to perform and complete the Work, be entitled to additional time to perform and complete the Work, provided that the Contractor shall, within ten (10) days from the beginning of such delay notify the Town, in writing, of the cause and particulars of the delay. Upon receipt of such notification, the Town shall review and evaluate the cause and extent of the delay. If, under the terms of the GENERAL CONDITIONS, the delays properly excusable, the Town will, in writing, appropriately extend the time for completion of the Work. The Contractor agrees that he shall not have or assert any claim for nor shall he be entitled to any

additional compensation or damages on account of such delays. The time in which the Work is to be performed and completed is of the essence of this Contract.

- 7.12 **Liquidated Damages.** In case the Contractor fails to complete the Work satisfactorily on or before the date of completion fixed herein or as duly extended as hereinbefore provided, the Contractor agrees that the Town shall deduct from the payments due the Contractor each month, the sum set forth under the SPECIAL CONDITIONS for each calendar day of delay, which sum is agreed upon not as a penalty but as fixed and liquidated damages for each day of such delay. If the payments due the Contractor are less than the amount of such liquidated damages, said damages shall be deducted from any other monies due or to become due the Contractor, and, in case such damages shall exceed the amount of all monies due or to become due the Contractor, the Contractor or his Surety shall pay the balance to the Owner.
- 7.13 **Employ Sufficient Labor and Equipment.** If, in the sole judgment of the Town, the Contractor is not employing sufficient labor, plant, equipment or other means to complete the Work within the time specified, the Town may, after giving written notice, require the Contractor to employ such additional labor, plant, equipment and other means as the Town deems necessary to enable the Work to progress properly.
- 7.14 **Intoxicating Liquors.** The Contractor shall not sell and shall neither permit nor suffer the introduction or use of intoxicating liquors upon or about the Work.
- 7.15 **Access to Work.** The Town and its officers, agents, servants and employees may at any and all times and for any and all purposes, enter upon the Work and the site thereof and the premises used by the Contractor, and the Contractor shall at all times provide safe and proper facilities therefor.
- 7.16 **Examination and Inspection of Work.** The Town shall be furnished by the Contractor with every reasonable facility for examining and inspecting the Work and for ascertaining that the Work is being performed in accordance with the requirements and intent of the Contract, even to the extent of requiring the uncovering or taking down portions of finished work by the Contractor.

Should the Work thus uncovered or taken down prove satisfactory, the cost of uncovering or taking down and the replacement thereof shall be considered as extra work unless the original work was done in violation of the Contract in point of time or in the absence of the Engineer or his inspector and without his written authorization, in which case said cost shall be borne by the Contractor. Should the work uncovered or taken down prove unsatisfactory, said cost shall likewise be borne by the Contractor.

Examination or inspection of the Work shall not relieve the Contractor of any of his obligations to perform and complete the Work as required by the Contract.

- 7.17 **Defective Work, Etc.** Until acceptance and during the applicable guarantee period thereafter, the Contractor shall promptly, without charge, repair, correct or replace work, equipment, materials, apparatus or parts thereof which are defective, damaged or unsuitable or which in any way fail to comply with or be in strict accordance with the provisions and requirements of the Contract or applicable guarantee and shall pay to the Town all resulting costs, expenses, losses, or damages suffered by the Town.

If any material, equipment, apparatus or other items brought upon the site for use or incorporation in the Work or selected for the same, is rejected by the Town as unsuitable or not in conformity with the Specifications or any of the other contract Documents, the Contractor shall forthwith remove such materials, equipment, apparatus and other items from the site of the Work and shall at his own cost and expense make good and replace the same.

- 7.18 **Protection Against Water and Storm.** The Contractor shall take all precautions necessary to prevent damage to the Work by storms or by water entering the site of the Work directly or through the ground. In case of damage by storm or water, the Contractor shall at his own cost and expense make such repairs or replacements or rebuild such parts of the Work as the Town may require in order that the finished Work may be completed as required by the Contract.
- 7.19 **Right to Materials.** Nothing in the Contract shall be construed as vesting in the Contractor any right of property in the materials, equipment, apparatus and other items furnished after they have been installed or incorporated in or attached or affixed to the Work or the site, but all such materials, equipment, apparatus and other items shall, upon being so installed, incorporated, attached or affixed, become the property of the Town. Nothing in this subsection shall relieve the Contractor of his duty to protect and maintain all such materials, equipment, apparatus and other items.
- 7.20 **Changes.** The Town may make changes in the Work and in the Drawings and Specifications therefor by making alterations therein, additions thereto or omissions therefrom. All work resulting from such changes shall be performed and furnished under and pursuant to the terms and conditions of the Contract. If such changes result in an increase or decrease in the Work to be done hereunder, or increase or decrease the quantities thereof, adjustment in compensation shall be made therefor at the unit prices stipulated in the Contract for such work, except that if unit prices are not stipulated for such work, compensation for additional or increased work shall be made as provided hereinafter under the subsection titled "Extra Work;" and for eliminated or decreased work the Contractor shall allow the owner a reasonable credit.

Except in an emergency endangering life or property, no change shall be made unless in pursuance of a written order from the Town authorizing the change, and no claim for additional compensation shall be valid unless the change is so ordered.

The Contractor agrees that he shall neither have nor assert any claim for or be entitled to any additional compensation for damages or for loss of anticipated profits on work that is eliminated.

- 7.21 **Extra Work.** The Contractor shall perform any extra work (work in connection with the Contract but not provided for herein) when and as ordered in writing by the Town, at the unit prices stipulated in the Contract for such work or, if none are so stipulated, either (a) at the price agreed upon before such work is commenced and named in the written order for such work, or (b) if the Town so elects, for the actual cost of such work, as determined by the Contractor and approved by the Town, plus a percentage of such cost, as set forth below. No extra work shall be paid unless specifically ordered as such in writing by the Town.

The cost of extra work done under (b) above shall include the actual cost to the Contractor of materials used and equipment installed, common and skilled labor, and foremen, and the fair rental of all machinery and equipment used on the extra work for the period of such use.

At the request of the Town, the Contractor shall furnish an itemized statement of the cost of the extra work ordered as above and give the Town access to all records, accounts, bills and vouchers and correspondence relating thereto.

The Contractor may include in the cost of extra work the amounts of additional premiums, if any, (other than premiums on bonds) paid on the required insurance on account of such extra work, of Social Security or other direct assessments upon the Contractor's payroll by Federal or other properly authorized public agencies, and of other approved assessments when such assessments are not normally included in payments made by the Contractor directly to his employees, but in fact, are, and are customarily recognized as, part of the cost of doing work.

The fair rental for all machinery and equipment shall be based upon the most recent edition of "Compilation of Rental Rates for Construction Equipment," published by the Associated Equipment Distributors, or a similar publication approved by the Town. Rental for machinery and equipment shall be based upon an appropriate fraction of the approved monthly rate schedule. If said extra work requires the use of machinery or equipment not already on the site of the Work, the cost of transportation, not exceeding a distance of 100 miles, of such machinery or equipment to and from the Work shall be added to the fair monthly rental; provided however, that this shall not apply to machinery or equipment already required to be furnished under the terms of the Contract.

The Contractor shall not include in the cost of extra work any cost or rental of small tools, building, or any portion of the time of the Contractor, his superintendent, or his office and engineering staff.

To the cost of extra work done by the Contractor's own forces under (b) above (determined as stated above), the Contractor shall add 15 percent to cover his overhead, use of capital, the premium on the Bonds as assessed upon the amount of this extra work, and profit.

In the case of extra work done under (b) above by a subcontractor, the subcontractor shall compute, as above, his cost for the extra work, to which he shall add 15 percent as in the case of the Contractor, and the Contractor shall be allowed an additional 15 percent of the subcontractor's cost for the extra work to cover the costs of the Contractor's overhead, use of capital, the premium on the Bonds as assessed upon the amount of this extra work, and profit. Said subcontractor's cost must be reasonable and approved by the Town

If extra work is done under (b) above, the Contractor and/or subcontractor shall keep daily records of such extra work. The daily record of such extra work. The daily record shall include the names of men employed, the nature of the work performed, and hours worked, materials and equipment incorporated, and machinery or equipment used, if any, in the prosecution of such extra work. This daily record, to constitute verification that the work was done, must signed both the Contractor's authorized representative and by the Town. A separate daily record shall be submitted for each Extra Work Order.

- 7.22 **Extension of Time on Account of Extra Work.** When extra work is ordered near the completion of the Contract or at any time during the progress of the Work, which unavoidably increases the time for the completion of the Work, an extension of time shall be granted as hereinbefore provided.
- 7.23 **Changes Not to Affect Bonds.** It is distinctly agreed and understood that any changes made in the Work or the drawings or specifications therefor (whether such changes increase or decrease the amount thereof or the time require for its performance) or any changes in the manner or time of payments made by the Town to the Contractor, or any other modifications of the Contract, shall in no way annul, release, diminish or affect the liability of the Surety on the CONTRACT BONDS given by the Contractor, it being the intent hereof that notwithstanding such changes the liability of the Surety on said bonds continue and remain in full force and effect.
- 7.24 **Claims for Damages.** If the Contractor makes claim for any damages alleged to have been sustained by breach of contract or otherwise, he shall, within ten (10) days after occurrence of the alleged breach or within ten (10) days after such damages are alleged to have been sustained, whichever date is the earlier, file with the Town a written, itemized statement in triplicate of the alleged damages. The Contractor agrees that unless such statement is made and filed as so required, his claim for damages shall be deemed waived, invalid and unenforceable, and that he shall not be entitle to any compensation for any such alleged damages.
- 7.25 **Abandonment of Work or Other Default.** If the Work shall be abandoned, or any part thereof shall be sublet without previous written consent of the Town, or the Contract or any moneys payable hereunder shall be assigned otherwise than as herein specified, that the conditions herein specified as to rate of progress are not being complied with, or that the Work or any part thereof is being violate or is in default under any of the provisions of the Contract, or if the Contractor becomes bankrupt or insolvent or goes or is put into liquidation or dissolution, either voluntarily or involuntarily, or petitions for an arrangement or reorganization under the Bankruptcy Act, or makes a general assignment for the benefit of creditors or otherwise acknowledges insolvency, the happening of any of which shall be and constitute a default under the Contract, the Town may notify the Contractor in writing, with a copy of such notice mailed to the Surety, to discontinue such Work or such part thereof as the Town may designate; and the Town may, upon giving such notice by contract or otherwise as it may determine, complete the Work or such part thereof and charge the entire cost and expense of so completing the Work or such part thereof to the Contractor. In addition to the said entire cost and expense of completing the Work, the Town shall be entitled to reimbursement from the Contractor and the Contractor agrees to pay to the Town any losses, damages, costs and expenses, including attorneys' fees, sustained or incurred by the Town by reason of any of the foregoing causes. For the purposes of such completion, the Town may, for itself, or for any contractors employed by the Town, takes possession of an dues or cause to be used any and all materials, equipment, plant, machinery, appliances, tools, supplies and such other items of every description that may be found or located at the site of the Work.

All costs, expenses, losses, damages, attorneys' fees and any and all other charges incurred by the Town under this subsection shall be charged against the Contractor and deducted and/or paid by the Town out of any moneys due or payable or to become due or payable under the Contract to the Contractor; in computing the amounts chargeable to the Contractor, the Town shall not be held to a basis of the lowest prices for which the

completion of the Work or any part thereof might have been accomplished, but all sums actually paid or obligated therefor to effect its prompt completion shall be charged to and against the account of the Contractor. In case the costs, expenses, losses, damages, attorneys' fees and other charges together with all payments therefore made to or for the account of the Contractor are less than the sum which would have been payable under the Contract if the Work had been properly performed and completed by the Contractor, the Contractor shall be entitled to receive the difference, and, in case such costs, expenses, losses, damages, attorneys' fees and other charges, together with all payments therefore made to or for the account of the Contractor, shall exceed the said sum, the Contractor shall pay the amount of the excess to the Town.

- 7.26 **Prices For Work.** The Town shall pay and the Contractor shall receive the prices stipulated in the BID made a part hereof as full compensation for everything performed and furnished and for all risks and obligations undertaken by the Contractor under and as required by the Contract.
- 7.27 **Monies May Be Retained.** The Town may at any time refrain from any monies which would otherwise be payable hereunder so much thereof as the Town may deem necessary to complete the Work hereunder and to reimburse it for all costs, expenses, losses, damages and damages chargeable to the Contractor hereunder.
- 7.28 **Formal Acceptance.** The Contract Documents constitute an entire contract for one whole and complete Work or result. Fixing of the date of completion and acceptance of the Work or a specified part thereof shall only be effective when accomplished by a writing specifically so stating and signed by the Town.
- 7.29 **Progress Estimates.** Once a month, except as hereinafter provided, the Town shall make an estimate in writing of the total amount and value of the work done to the first of the month by the Contractor. The Town shall retain a percentage of such estimated value, as set forth under SPECIAL CONDITIONS, as part security for fulfillment of the Contract by the Contractor and shall deduct from the balance all previous payments made to the Contractor, all sums chargeable against the Contractor and all sums to be retained under the provisions of the Contract. The Town shall pay monthly to the Contractor the balance not deducted and/or retained as aforesaid, except that payment may be withheld at any time, if in the judgment of the Town, the work is not proceeding in accordance with the Contract. If the Town deems it expedient to do so, it may cause estimates and payments to be made more frequently than once in each month. No progress estimate or payment need be made when in the judgment of the Town, the total value of the work done since the last estimate amounts to less than the amount set forth under SPECIAL CONDITIONS.

Estimates of lump-sum items shall be based on a schedule dividing each such item into its appropriate component part, together with a quantity and a unit price for each part so that the sum of the products of prices and quantities will equal the Contract price for the item. This schedule shall be submitted by the Contractor for and must have the approval of the Town before the first estimate becomes due.

If the Town determines that the progress of the Work will be benefited by the delivery to the site of certain materials and equipment, when available, in advance of actual requirement therefore and if such materials and equipment are delivered and properly stored and protected, the cost to the Contractor or Subcontractor as established by

invoices or other suitable vouchers satisfactory to the Town, less the retained percentages as above provided, may be included in the progress estimates; provided always that there be duly executed and delivered by the contractor to the Town at the same time a Bill of Sale in form satisfactory to the Town, transferring and assigning to the Town full ownership and title to such materials or equipment.

- 7.30 **Partial Acceptance.** The Town may, at any time, in a written order to the contractor (1) declare that he intends to use a specified part of the Work which, in his opinion, is sufficiently complete, in accordance with the Contract Documents, to permit its use; (2) enclose a tentative list of items remaining to be completed or corrected, and (3) fix the date of acceptance of that specified part of the Work.

Within 45 days after acceptance under this subsection, the Town shall make an estimate, in writing, of the amount and value of the part of the Work, so accepted and shall pay said amount to the Contractor after deducting therefrom all previous payments, all charges against the Contractor as provided for hereunder, and all amounts to be retained under the provisions of the Contract, said payment to be made at the time of the next monthly progress estimate.

Acceptance by the Town under this subsection shall not relieve the Contractor of any obligations under the Contract Documents except to the extent agreed upon in writing between the Town and the Contractor.

The Town shall have the right to exclude the Contractor from any part of the Work which has been accepted, but the Town will allow the Contractor reasonable access thereto to complete or correct items on the tentative lists.

- 7.31 **Final Estimate and Payment.** As soon as practicable (but not more than sixty-five (65) days) after final completion of the Work, the Town shall make a final estimate, in writing, of the quantity of Work done under the Contract and the amount earned by the Contractor.

The Town shall pay to the Contractor the entire amount found to be earned and due hereunder after deducting there from all previous payments, all charges against the Contractor as provided for hereunder, and all amounts to be retained under the provisions of the Contract. Except as in this subsection otherwise provided such payment shall be made not later than fifteen (15) days after, but in no event before, the expiration of the time within which claims for labor performed or materials or equipment furnished must be filed under the applicable Lien Law, or, if such time is not specified by law, the expiration of thirty (30) days after the completion of the Engineer's final estimate.

All quantities shown on progress estimates and all prior payments shall be subject to correction in the final estimate and payment.

- 7.32 **Liens.** If, at any time, any notices of lien are filed for labor performed or materials or equipment manufactured, furnished, or delivered to or for the Work, the Contractor shall, at its own cost and expense, promptly discharge, remove or otherwise dispose of the same, and until such discharge, removal or disposition, the Town shall have the right to retain from any moneys payable hereunder an amount which, in its sole judgment, it deems necessary to satisfy such liens and pay the costs and expenses,

including attorneys' fees, of defending any actions brought to enforce the same, or incurred in connection therewith or by reason thereof.

- 7.33 **Claims.** If, at any time, there be any evidence of any claims for which the Contractor is or may be liable or responsible hereunder, the Contractor shall promptly settle or otherwise dispose of the same, and until such claims are settled or disposed of, the Town may retain from any moneys which would otherwise be payable hereunder so much thereof as, in its sole judgment, it may deem necessary to settle or otherwise dispose of such claims and to pay the costs and expenses, including attorneys' fees, of defending any actions brought to enforce such claims, or incurred in connection therewith or be reason thereof.
- 7.34 **Application of Monies Retained.** The Town may apply any moneys retained hereunder to reimburse itself for any and all costs, expenses, losses, damage and damages liabilities, suits, judgments and awards incurred, suffered or sustained by the Town and chargeable to the Contractor hereunder or as determined hereunder.
- 7.35 **No Waiver.** Neither the inspection by the Town, nor any order, measurement, approval, determination, decision of certificate by the Town for the payment of money; nor any payment for or use, occupancy, possession or acceptance of the whole or any part of the Work by the Town, nor any extension of time, nor any other act or omission of the Town shall constitute or be deemed to be an acceptance of any defective or improper work, materials, or equipment nor operate as a waiver of any requirement or provision of the Contract, nor of any remedy, power or right of or herein reserved to the Town, nor of any right to damages for breach of contract. Any and all rights and/or remedies provided for in the Contract are intended and shall be construed to be cumulative; and, in addition to each and every other right and remedy provided for herein or by law, the Town shall be entitled as of right to a writ of injunction against any breach or threatened breach of the Contract by the Contractor, by his subcontractors or by any other person or persons.
- 7.36 **Liability of Town.** No person, firm or corporation, other than the Contractor who signed this Contract as such, shall have any interest herein or right hereunder. No claim shall be made or be valid either against the Town or any agent of the Town and neither the Town nor any agent of the Town shall be liable for or be held to any money, except as herein provided. The acceptance by the Contractor of the payment as fixed in the final estimate shall operate as and shall be a full and complete release of the Town and of very agent of the Town of and from any and all claims, demands, damages and liabilities of, by or to the Contractor for anything done or furnished for or arising out of or relating to or by reason of the Work or on account of any act or neglect of the Town or of any agent of the Town or of any other person, arising out of, relating to or by reason of the Work, except the claim against the Town for the unpaid balance, if any there be, of the amounts retained as herein provided.
- 7.37 **Guarantee.** The Contractor guarantees that the Work and services to be performed under the Contract, and all workmanship, materials and equipment performed, furnished, used or installed in the construction of the same, shall be free from defects and flaws, and shall be performed and furnished in strict accordance with the Drawings, Specifications, and other Contract Documents, that the strength of all parts of all manufactured equipment shall be adequate and as specified and that the performance test requirements of the Contract shall be fulfilled. This guarantee shall be for a period of one year from and after the date of completion and acceptance of the Work as stated in

the final estimate. If part of the Work is accepted in accordance with that subsection titled "Partial Acceptance," the guarantee for that part of the Work shall be for a period of one year from the date fixed for such acceptance.

- 7.38 **Retain Money for Repairs.** The Town may retain out of the moneys otherwise payable to the Contractor hereunder a percentage of the amount thereof as set forth under SPECIAL CONDITIONS, and may expend the same, in the manner hereinafter provided in making such repairs, corrections or replacements in the Work as the Town, in its sole judgment, may deem necessary.

If, at any time within the said period of guarantee, any part of the Work requires repairing, correction or replacement, the Town may notify the Contractor in writing to make the required repairs, correction replacements. If the Contractor neglects to commence making such repairs, correction, or replacements to the satisfaction of the Town within three (3) days from the date of receipt of such notice, or having commenced fails to prosecute such work with diligence, the Town may employ other persons to make the same. The Town shall pay the cost and expense of the same out of the amounts retained for that purpose. Upon the expiration of the said period of guarantee, provided that the Work at that time is in good order the Contractor will be entitled to receive the whole or such part of the sum last aforesaid, if any, as may remain after the cost and expense of making said repairs, correction or replacements, in the manner aforesaid, have been paid there from.

- 7.39 **Cleaning Up.** The Contractor, at all times, shall keep the site of the Work free from rubbish and debris caused by his operations under the contract. When the Work has been completed, the Contractor shall remove from the site of the Work all of his plant, machinery, tools, construction equipment, temporary work and surplus materials so as to leave the Work and the site clean and ready for use.

- 7.40 **Legal Address of Contractor.** The Contractor's business address and his office at or near the site of the work are both hereby designated at places to which communications in a postpaid wrapper directed to the contractor's business address in a post office box regularly maintained by the Post Office Department or the delivery at either designated address of any letter, notice, or other communication by mail or otherwise shall be deemed sufficient service thereof upon the contractor, and the date of such service shall be the date of receipt. The first-named address may be changed at any time by an instrument, in writing, executed and acknowledged by the contractor and delivered to the Town. Service of any notice, letter or other communication upon the contractor personally shall likewise be deemed sufficient service.

- 7.41 **Modification or Termination.** Except as otherwise expressly provided herein the contract may not be modified or terminated except in writing signed by the parties hereto.

SECTION 8
MEASUREMENT AND PAYMENT

SECTION 8

MEASUREMENT AND PAYMENT

Item 1. Class I Bituminous Concrete Pavement Type I-1. The unit price for Item 1 shall constitute full compensation for furnishing, placing and compacting approved bituminous concrete in areas as indicated on the description of work and the plans, or as directed by the Engineer.

Under Item 1, the quantity of bituminous concrete shall be measured in tons to the nearest one tenth of a ton. The amount paid for will be the actual tons of bituminous concrete placed and compacted.

Item 2. Class I Bituminous Concrete Curbing Type 2. The unit price for Item 2 shall constitute full compensation for furnishing and placing approved bituminous concrete curbing in areas as indicated on the description of work and the plans, or as directed by the Engineer.

Under Item 2, the quantity of bituminous concrete curbing shall be measured in linear feet to the nearest ½ foot. The amount paid for will be the actual linear feet of bituminous concrete curbing furnished and placed.

Item 3. Sewer and Drain Structures Adjusted. The unit price for Item 3 shall constitute full compensation for raising structure frames and grates to proposed grade and pitch including all materials and labor incidental to this work and not covered in other items. Structures to be raised shall be as directed by the Engineer. Frames and grates judged to be inadequate by the Engineer shall be removed and replaced with new frames and grates provided by the Contractor and compensation shall be the same for this alternative.

Item 4. Water Gate Boxes Adjusted. The unit price for Item 4 shall constitute full compensation for raising water gate boxes to proposed grade and pitch including all materials and labor incidental to this work and not covered in other items. Boxes to be raised shall be as directed by the Engineer. Boxes judged to be inadequate by the Engineer, shall be removed and replaced with new boxes provided by the Contractor and compensation shall be the same for this alternative.

Item 12. Cold Planing Bituminous Concrete. The unit price for Item 12 shall constitute full compensation for cold planing bituminous concrete in areas indicated on the paving list and disposal of bituminous concrete waste material.

Under Item 12, the quantity of bituminous concrete cold planed shall be measured in square yards of bituminous concrete planed and disposed. The amount paid for will be the actual square yards cold planed.

Item 13. Earth Excavation (Unsuitable Material). Under Item 13, the quantity of earth excavation to be considered for payment shall be the number of cubic yards of unsuitable materials excavated and disposed measured to the depths and lengths ordered by the Engineer.

Item 14. Gravel Borrow. The unit price for Item 14 shall constitute full compensation for the furnishing, placing, grading, and compacting of gravel borrow as directed and as specified.

Under Item 14, the quantity of processed gravel shall be measured in cubic yards, placed, and compacted. The amount of gravel borrow paid for will equal the actual amount of gravel borrow placed and compacted.

Item 15. Remodel Sewer & Drain Structures. The unit price for Item 15 shall constitute full compensation for rebuilding defective sewer and drain structures as directed.

Under Item 15, the quantity of structures remodeled shall be measured per vertical foot completed. The amount paid for per vertical foot shall include removal and disposal of defective structure materials, providing, bricks, barrel blocks, concrete, gravel, resetting frame and grate, and all other labor, materials and equipment necessary for completing the structure.

Item 16. Tack Coat. The unit price for Item 16 shall constitute full compensation for furnishing and placing tack coat as directed by the Engineer.

Under Item 16, the quantity of tack coat placed shall be measured in gallons. The amount paid for will be the actual gallons applied.

Item 17. HMA Miscellaneous Hand Work. The unit price for Item 17 shall constitute full compensation for furnishing and placing hot mix asphalt (HMA) by hand.

Under Item 17, the quantity of HMA placed by hand shall be measured in tons. The amount paid for will be the actual tons applied by hand.

Item 18. Bituminous Concrete Driveway Aprons. The unit price for Item 18 shall constitute full compensation for constructing bituminous concrete driveway aprons to include sweeping if necessary, furnishing, placing and compacting approved bituminous concrete as indicated on the plans or as directed by the Engineer.

If milling of the driveway apron is necessary prior to paving, it shall be paid for separately under Item 12.

Under Item 18, the quantity of bituminous concrete driveway aprons constructed shall be measured in tons to the nearest one tenth of a ton. The amount paid for will be the actual tons of bituminous concrete placed and compacted.

APPENDIX A
PREVAILING WAGE RATES



CHARLES D. BAKER
Governor

KARYN E. POLITO
Lt. Governor

THE COMMONWEALTH OF MASSACHUSETTS
EXECUTIVE OFFICE OF LABOR AND WORKFORCE DEVELOPMENT
DEPARTMENT OF LABOR STANDARDS

Prevailing Wage Rates

As determined by the Director under the provisions of the
Massachusetts General Laws, Chapter 149, Sections 26 to 27H

RONALD L. WALKER, II
Secretary

WILLIAM D MCKINNEY
Director

Awarding Authority: Town of Greenfield
Contract Number: 17-5 **City/Town:** GREENFIELD
Description of Work: 2017 Paving Program - Work consists of resurfacing streets and related work to include cold planing and adjusting structures as needed.
Job Location: Various locations

Information about Prevailing Wage Schedules for Awarding Authorities and Contractors

- This wage schedule applies only to the specific project referenced at the top of this page and uniquely identified by the “Wage Request Number” on all pages of this schedule.
- An Awarding Authority must request an updated wage schedule from the Department of Labor Standards (“DLS”) if it has not opened bids or selected a contractor within 90 days of the date of issuance of the wage schedule. For CM AT RISK projects (bid pursuant to G.L. c.149A), the earlier of: (a) the execution date of the GMP Amendment, or (b) the bid for the first construction scope of work must be within 90-days of the wage schedule issuance date.
- The wage schedule shall be incorporated in any advertisement or call for bids for the project as required by M.G.L. c. 149, § 27. The wage schedule shall be made a part of the contract awarded for the project. The wage schedule must be posted in a conspicuous place at the work site for the life of the project in accordance with M.G.L. c. 149 § 27. The wages listed on the wage schedule must be paid to employees performing construction work on the project whether they are employed by the prime contractor, a filed sub-bidder, or any sub-contractor.
- All apprentices working on the project are required to be registered with the Massachusetts Department of Labor Standards, Division of Apprentice Standards (DLS/DAS). Apprentice must keep his/her apprentice identification card on his/her person during all work hours on the project. An apprentice registered with DAS may be paid the lower apprentice wage rate at the applicable step as provided on the prevailing wage schedule. **Any apprentice not registered with DLS/DAS regardless of whether or not they are registered with any other federal, state, local, or private agency must be paid the journeyworker's rate for the trade.**
- The wage rates will remain in effect for the duration of the project, except in the case of multi-year public construction projects. For construction projects lasting longer than one year, awarding authorities must request an updated wage schedule. Awarding authorities are required to request these updates no later than two weeks before the anniversary of the date the contract was executed by the awarding authority and the general contractor. For multi-year CM AT RISK projects, awarding authority must request an annual update no later than two weeks before the anniversary date, determined as the earlier of: (a) the execution date of the GMP Amendment, or (b) the execution date of the first amendment to permit procurement of construction services. Contractors are required to obtain the wage schedules from awarding authorities, and to pay no less than these rates to covered workers. The annual update requirement is not applicable to 27F “rental of equipment” contracts.
- Every contractor or subcontractor which performs construction work on the project is required to submit weekly payroll reports and a Statement of Compliance directly to the awarding authority by mail or email and keep them on file for three years. Each weekly payroll report must contain: the employee’s name, address, occupational classification, hours worked, and wages paid. Do not submit weekly payroll reports to DLS. A sample of a payroll reporting form may be obtained at <http://www.mass.gov/dols/pw>.
- Contractors with questions about the wage rates or classifications included on the wage schedule have an affirmative obligation to inquire with DLS at (617) 626-6953.
- Employees not receiving the prevailing wage rate set forth on the wage schedule may report the violation to the Fair Labor Division of the office of the Attorney General at (617) 727-3465.
- Failure of a contractor or subcontractor to pay the prevailing wage rates listed on the wage schedule to all employees who perform construction work on the project is a violation of the law and subjects the contractor or subcontractor to civil and

Classification	Effective Date	Base Wage	Health	Pension	Supplemental Unemployment	Total Rate
Construction						
(2 AXLE) DRIVER - EQUIPMENT <i>TEAMSTERS JOINT COUNCIL NO. 10 ZONE B</i>	12/01/2016	\$32.15	\$10.91	\$10.89	\$0.00	\$53.95
(3 AXLE) DRIVER - EQUIPMENT <i>TEAMSTERS JOINT COUNCIL NO. 10 ZONE B</i>	12/01/2016	\$32.22	\$10.91	\$10.89	\$0.00	\$54.02
(4 & 5 AXLE) DRIVER - EQUIPMENT <i>TEAMSTERS JOINT COUNCIL NO. 10 ZONE B</i>	12/01/2016	\$32.34	\$10.91	\$10.89	\$0.00	\$54.14
ADS/SUBMERSIBLE PILOT <i>PILE DRIVER LOCAL 56 (ZONE 3)</i>	08/01/2015	\$90.51	\$9.80	\$18.17	\$0.00	\$118.48
For apprentice rates see "Apprentice- PILE DRIVER"						
AIR TRACK OPERATOR <i>LABORERS - ZONE 3 (BUILDING & SITE)</i>	12/05/2016	\$30.33	\$7.60	\$12.50	\$0.00	\$50.43
For apprentice rates see "Apprentice- LABORER"						
AIR TRACK OPERATOR (HEAVY & HIGHWAY) <i>LABORERS - ZONE 3 (HEAVY & HIGHWAY)</i>	12/01/2016	\$30.25	\$7.60	\$10.62	\$0.00	\$48.47
For apprentice rates see "Apprentice- LABORER (Heavy and Highway)"						
ASBESTOS WORKER (PIPES & TANKS) <i>HEAT & FROST INSULATORS LOCAL 6 (SPRINGFIELD)</i>	06/01/2017	\$31.41	\$11.50	\$6.60	\$0.00	\$49.51
	12/01/2017	\$32.31	\$11.50	\$6.60	\$0.00	\$50.41
	06/01/2018	\$33.21	\$11.50	\$6.60	\$0.00	\$51.31
	12/01/2018	\$34.11	\$11.50	\$6.60	\$0.00	\$52.21
	06/01/2019	\$35.01	\$11.50	\$6.60	\$0.00	\$53.11
	12/01/2019	\$35.91	\$11.50	\$6.60	\$0.00	\$54.01
	06/01/2020	\$36.81	\$11.50	\$6.60	\$0.00	\$54.91
	12/01/2020	\$37.71	\$11.50	\$6.60	\$0.00	\$55.81
ASPHALT RAKER <i>LABORERS - ZONE 3 (BUILDING & SITE)</i>	12/05/2016	\$29.83	\$7.60	\$12.50	\$0.00	\$49.93
For apprentice rates see "Apprentice- LABORER"						
ASPHALT RAKER (HEAVY & HIGHWAY) <i>LABORERS - ZONE 3 (HEAVY & HIGHWAY)</i>	12/01/2016	\$29.75	\$7.60	\$10.62	\$0.00	\$47.97
For apprentice rates see "Apprentice- LABORER (Heavy and Highway)"						
AUTOMATIC GRADER-EXCAVATOR (RECLAIMER) <i>OPERATING ENGINEERS LOCAL 98</i>	06/01/2017	\$33.88	\$10.79	\$12.75	\$0.00	\$57.42
	12/01/2017	\$34.48	\$10.79	\$13.02	\$0.00	\$58.29
	06/01/2018	\$35.09	\$10.79	\$13.29	\$0.00	\$59.17
	12/01/2018	\$35.69	\$10.79	\$13.56	\$0.00	\$60.04
	06/01/2019	\$36.20	\$10.79	\$13.83	\$0.00	\$60.82
	12/01/2019	\$36.80	\$10.79	\$14.10	\$0.00	\$61.69
For apprentice rates see "Apprentice- OPERATING ENGINEERS"						
BACKHOE/FRONT-END LOADER OPERATOR <i>OPERATING ENGINEERS LOCAL 98</i>	06/01/2017	\$33.88	\$10.79	\$12.75	\$0.00	\$57.42
	12/01/2017	\$34.48	\$10.79	\$13.02	\$0.00	\$58.29
	06/01/2018	\$35.09	\$10.79	\$13.29	\$0.00	\$59.17
	12/01/2018	\$35.69	\$10.79	\$13.56	\$0.00	\$60.04
	06/01/2019	\$36.20	\$10.79	\$13.83	\$0.00	\$60.82
	12/01/2019	\$36.80	\$10.79	\$14.10	\$0.00	\$61.69
For apprentice rates see "Apprentice- OPERATING ENGINEERS"						
BARCO-TYPE JUMPING TAMPER <i>LABORERS - ZONE 3 (BUILDING & SITE)</i>	12/05/2016	\$29.83	\$7.60	\$12.50	\$0.00	\$49.93
For apprentice rates see "Apprentice- LABORER"						

Classification	Effective Date	Base Wage	Health	Pension	Supplemental Unemployment	Total Rate
BATCH/CEMENT PLANT - ON SITE <i>OPERATING ENGINEERS LOCAL 98</i>	06/01/2017	\$33.35	\$10.79	\$12.75	\$0.00	\$56.89
	12/01/2017	\$33.95	\$10.79	\$13.02	\$0.00	\$57.76
	06/01/2018	\$34.56	\$10.79	\$13.29	\$0.00	\$58.64
	12/01/2018	\$35.16	\$10.79	\$13.56	\$0.00	\$59.51
	06/01/2019	\$35.67	\$10.79	\$13.83	\$0.00	\$60.29
	12/01/2019	\$36.27	\$10.79	\$14.10	\$0.00	\$61.16
For apprentice rates see "Apprentice- OPERATING ENGINEERS"						
BLOCK PAVER, RAMMER / CURB SETTER <i>LABORERS - ZONE 3 (BUILDING & SITE)</i>	12/05/2016	\$30.33	\$7.60	\$12.50	\$0.00	\$50.43
For apprentice rates see "Apprentice- LABORER"						
BLOCK PAVER, RAMMER / CURB SETTER (HEAVY & HIGHWAY) <i>LABORERS - ZONE 3 (HEAVY & HIGHWAY)</i>	12/01/2016	\$30.25	\$7.60	\$10.62	\$0.00	\$48.47
For apprentice rates see "Apprentice- LABORER (Heavy and Highway)"						
BOILER MAKER <i>BOILERMAKERS LOCAL 29</i>	01/01/2017	\$42.92	\$6.97	\$16.21	\$0.00	\$66.10

Apprentice - BOILERMAKER - Local 29

Effective Date - 01/01/2017

Step	percent	Apprentice Base Wage	Health	Pension	Supplemental Unemployment	Total Rate
1	65	\$27.90	\$6.97	\$10.54	\$0.00	\$45.41
2	65	\$27.90	\$6.97	\$10.54	\$0.00	\$45.41
3	70	\$30.04	\$6.97	\$11.35	\$0.00	\$48.36
4	75	\$32.19	\$6.97	\$12.16	\$0.00	\$51.32
5	80	\$34.34	\$6.97	\$12.97	\$0.00	\$54.28
6	85	\$36.48	\$6.97	\$13.78	\$0.00	\$57.23
7	90	\$38.63	\$6.97	\$14.59	\$0.00	\$60.19
8	95	\$40.77	\$6.97	\$15.40	\$0.00	\$63.14

Notes:

Apprentice to Journeyworker Ratio:1:5

BRICK/STONE/ARTIFICIAL MASONRY (INCL. MASONRY WATERPROOFING) <i>BRICKLAYERS LOCAL 3 (SPRINGFIELD/PITTSFIELD)</i>	02/27/2017	\$39.26	\$10.75	\$17.38	\$0.00	\$67.39
---	------------	---------	---------	---------	--------	---------

Classification

Effective Date Base Wage Health Pension Supplemental Unemployment Total Rate

Apprentice - BRICK/PLASTER/CEMENT MASON - Local 3 Springfield/Pittsfield

Effective Date - 02/27/2017

Step	percent	Apprentice Base Wage	Health	Pension	Supplemental Unemployment	Total Rate
1	50	\$19.63	\$10.75	\$17.38	\$0.00	\$47.76
2	60	\$23.56	\$10.75	\$17.38	\$0.00	\$51.69
3	70	\$27.48	\$10.75	\$17.38	\$0.00	\$55.61
4	80	\$31.41	\$10.75	\$17.38	\$0.00	\$59.54
5	90	\$35.33	\$10.75	\$17.38	\$0.00	\$63.46

Notes:

Apprentice to Journeyworker Ratio:1:5

BULLDOZER/POWER SHOVEL/TREE SHREDDER /CLAM SHELL OPERATING	06/01/2017	\$33.88	\$10.79	\$12.75	\$0.00	\$57.42
ENGINEERS LOCAL 98	12/01/2017	\$34.48	\$10.79	\$13.02	\$0.00	\$58.29
	06/01/2018	\$35.09	\$10.79	\$13.29	\$0.00	\$59.17
	12/01/2018	\$35.69	\$10.79	\$13.56	\$0.00	\$60.04
	06/01/2019	\$36.20	\$10.79	\$13.83	\$0.00	\$60.82
	12/01/2019	\$36.80	\$10.79	\$14.10	\$0.00	\$61.69

For apprentice rates see "Apprentice- OPERATING ENGINEERS"

CAISSON & UNDERPINNING BOTTOM MAN LABORERS - FOUNDATION AND MARINE	12/01/2016	\$37.45	\$7.60	\$14.35	\$0.00	\$59.40
---	------------	---------	--------	---------	--------	---------

For apprentice rates see "Apprentice- LABORER"

CAISSON & UNDERPINNING LABORER LABORERS - FOUNDATION AND MARINE	12/01/2016	\$36.30	\$7.60	\$14.35	\$0.00	\$58.25
--	------------	---------	--------	---------	--------	---------

For apprentice rates see "Apprentice- LABORER"

CAISSON & UNDERPINNING TOP MAN LABORERS - FOUNDATION AND MARINE	12/01/2016	\$36.30	\$7.60	\$14.35	\$0.00	\$58.25
--	------------	---------	--------	---------	--------	---------

For apprentice rates see "Apprentice- LABORER"

CARBIDE CORE DRILL OPERATOR LABORERS - ZONE 3 (BUILDING & SITE)	12/05/2016	\$29.83	\$7.60	\$12.50	\$0.00	\$49.93
--	------------	---------	--------	---------	--------	---------

For apprentice rates see "Apprentice- LABORER"

CARPENTER CARPENTERS LOCAL 108 - HAMPDEN HAMPSHIRE FRANKLIN	02/27/2017	\$34.56	\$8.26	\$15.00	\$0.00	\$57.82
	09/04/2017	\$35.56	\$8.26	\$15.00	\$0.00	\$58.82
	03/05/2018	\$36.56	\$8.26	\$15.00	\$0.00	\$59.82
	09/05/2018	\$37.60	\$8.26	\$15.00	\$0.00	\$60.86
	03/04/2019	\$38.64	\$8.26	\$15.00	\$0.00	\$61.90

Apprentice - CARPENTER - Local 108 Hampden Hampshire Franklin

Effective Date - 02/27/2017

Step	percent	Apprentice Base Wage	Health	Pension	Supplemental Unemployment	Total Rate
1	50	\$17.28	\$8.26	\$1.22	\$0.00	\$26.76
2	60	\$20.74	\$8.26	\$1.22	\$0.00	\$30.22
3	70	\$24.19	\$8.26	\$11.34	\$0.00	\$43.79
4	75	\$25.92	\$8.26	\$11.34	\$0.00	\$45.52
5	80	\$27.65	\$8.26	\$12.56	\$0.00	\$48.47
6	80	\$27.65	\$8.26	\$12.56	\$0.00	\$48.47
7	90	\$31.10	\$8.26	\$13.78	\$0.00	\$53.14
8	90	\$31.10	\$8.26	\$13.78	\$0.00	\$53.14

Effective Date - 09/04/2017

Step	percent	Apprentice Base Wage	Health	Pension	Supplemental Unemployment	Total Rate
1	50	\$17.78	\$8.26	\$1.22	\$0.00	\$27.26
2	60	\$21.34	\$8.26	\$1.22	\$0.00	\$30.82
3	70	\$24.89	\$8.26	\$11.34	\$0.00	\$44.49
4	75	\$26.67	\$8.26	\$11.34	\$0.00	\$46.27
5	80	\$28.45	\$8.26	\$12.56	\$0.00	\$49.27
6	80	\$28.45	\$8.26	\$12.56	\$0.00	\$49.27
7	90	\$32.00	\$8.26	\$13.78	\$0.00	\$54.04
8	90	\$32.00	\$8.26	\$13.78	\$0.00	\$54.04

Notes:

** 1: 1-5/2: 6-8/3:9-11/Steps: 6 mos (600 hrs)/rates by step

Apprentice to Journeyworker Ratio:**

CEMENT MASONRY/PLASTERING	01/01/2017	\$38.72	\$12.15	\$14.56	\$1.30	\$66.73
BRICKLAYERS LOCAL 3 (SPRINGFIELD/PITTSFIELD)	07/01/2017	\$39.31	\$12.15	\$14.56	\$1.30	\$67.32
	01/01/2018	\$39.34	\$12.15	\$14.56	\$1.30	\$67.35
	07/01/2018	\$39.37	\$12.15	\$14.56	\$1.30	\$67.38
	01/01/2019	\$39.41	\$12.15	\$14.56	\$1.30	\$67.42
	07/01/2019	\$39.44	\$12.15	\$14.56	\$1.30	\$67.45
	01/01/2020	\$39.48	\$12.15	\$14.56	\$1.30	\$67.49

Classification

Effective Date Base Wage Health Pension Supplemental Unemployment Total Rate

Apprentice - CEMENT MASONRY/PLASTERING - Springfield/Pittsfield

Effective Date - 01/01/2017

Step	percent	Apprentice Base Wage	Health	Pension	Supplemental Unemployment	Total Rate
1	50	\$19.36	\$12.15	\$12.33	\$0.00	\$43.84
2	60	\$23.23	\$12.15	\$14.56	\$1.30	\$51.24
3	65	\$25.17	\$12.15	\$14.56	\$1.30	\$53.18
4	70	\$27.10	\$12.15	\$14.56	\$1.30	\$55.11
5	75	\$29.04	\$12.15	\$14.56	\$1.30	\$57.05
6	80	\$30.98	\$12.15	\$14.56	\$1.30	\$58.99
7	90	\$34.85	\$12.15	\$14.56	\$1.30	\$62.86

Effective Date - 07/01/2017

Step	percent	Apprentice Base Wage	Health	Pension	Supplemental Unemployment	Total Rate
1	50	\$19.66	\$12.15	\$12.33	\$0.00	\$44.14
2	60	\$23.59	\$12.15	\$14.56	\$1.30	\$51.60
3	65	\$25.55	\$12.15	\$14.56	\$1.30	\$53.56
4	70	\$27.52	\$12.15	\$14.56	\$1.30	\$55.53
5	75	\$29.48	\$12.15	\$14.56	\$1.30	\$57.49
6	80	\$31.45	\$12.15	\$14.56	\$1.30	\$59.46
7	90	\$35.38	\$12.15	\$14.56	\$1.30	\$63.39

Notes:

Steps 3,4 are 500 hrs. All other steps are 1,000 hrs.

Apprentice to Journeyworker Ratio:1:3

CHAIN SAW OPERATOR
LABORERS - ZONE 3 (BUILDING & SITE) 12/05/2016 \$29.83 \$7.60 \$12.50 \$0.00 \$49.93

For apprentice rates see "Apprentice- LABORER"

COMPRESSOR OPERATOR
OPERATING ENGINEERS LOCAL 98

06/01/2017	\$33.35	\$10.79	\$12.75	\$0.00	\$56.89
12/01/2017	\$33.95	\$10.79	\$13.02	\$0.00	\$57.76
06/01/2018	\$34.56	\$10.79	\$13.29	\$0.00	\$58.64
12/01/2018	\$35.16	\$10.79	\$13.56	\$0.00	\$59.51
06/01/2019	\$35.67	\$10.79	\$13.83	\$0.00	\$60.29
12/01/2019	\$36.27	\$10.79	\$14.10	\$0.00	\$61.16

For apprentice rates see "Apprentice- OPERATING ENGINEERS"

CRANE OPERATOR
OPERATING ENGINEERS LOCAL 98

06/01/2017	\$37.38	\$10.79	\$12.75	\$0.00	\$60.92
12/01/2017	\$37.98	\$10.79	\$13.02	\$0.00	\$61.79
06/01/2018	\$38.59	\$10.79	\$13.29	\$0.00	\$62.67
12/01/2018	\$39.19	\$10.79	\$13.56	\$0.00	\$63.54
06/01/2019	\$39.70	\$10.79	\$13.83	\$0.00	\$64.32
12/01/2019	\$40.30	\$10.79	\$14.10	\$0.00	\$65.19

For apprentice rates see "Apprentice- OPERATING ENGINEERS"

DELEADER (BRIDGE)
PAINTERS LOCAL 35 - ZONE 3 01/01/2017 \$51.41 \$7.85 \$16.10 \$0.00 \$75.36

Classification

Effective Date Base Wage Health Pension Supplemental Unemployment Total Rate

Apprentice - PAINTER Local 35 - BRIDGES/TANKS

Effective Date - 01/01/2017

Step	percent	Apprentice Base Wage	Health	Pension	Supplemental Unemployment	Total Rate
1	50	\$25.71	\$7.85	\$0.00	\$0.00	\$33.56
2	55	\$28.28	\$7.85	\$3.66	\$0.00	\$39.79
3	60	\$30.85	\$7.85	\$3.99	\$0.00	\$42.69
4	65	\$33.42	\$7.85	\$4.32	\$0.00	\$45.59
5	70	\$35.99	\$7.85	\$14.11	\$0.00	\$57.95
6	75	\$38.56	\$7.85	\$14.44	\$0.00	\$60.85
7	80	\$41.13	\$7.85	\$14.77	\$0.00	\$63.75
8	90	\$46.27	\$7.85	\$15.44	\$0.00	\$69.56

Notes:

Steps are 750 hrs.

Apprentice to Journeyworker Ratio:1:1

DEMO: ADZEMAN LABORERS - ZONE 3 (BUILDING & SITE)	06/01/2017	\$37.00	\$7.60	\$14.65	\$0.00	\$59.25
	12/01/2017	\$37.85	\$7.60	\$14.65	\$0.00	\$60.10
	06/01/2018	\$38.80	\$7.60	\$14.65	\$0.00	\$61.05
	12/01/2018	\$39.75	\$7.60	\$14.65	\$0.00	\$62.00
	06/01/2019	\$40.75	\$7.60	\$14.65	\$0.00	\$63.00
	12/01/2019	\$41.75	\$7.60	\$14.65	\$0.00	\$64.00

For apprentice rates see "Apprentice- LABORER"

DEMO: BACKHOE/LOADER/HAMMER OPERATOR LABORERS - ZONE 3 (BUILDING & SITE)	06/01/2017	\$38.00	\$7.60	\$14.65	\$0.00	\$60.25
	12/01/2017	\$38.85	\$7.60	\$14.65	\$0.00	\$61.10
	06/01/2018	\$39.80	\$7.60	\$14.65	\$0.00	\$62.05
	12/01/2018	\$40.75	\$7.60	\$14.65	\$0.00	\$63.00
	06/01/2019	\$41.75	\$7.60	\$14.65	\$0.00	\$64.00
	12/01/2019	\$42.75	\$7.60	\$14.65	\$0.00	\$65.00

For apprentice rates see "Apprentice- LABORER"

DEMO: BURNERS LABORERS - ZONE 3 (BUILDING & SITE)	06/01/2017	\$37.75	\$7.60	\$14.65	\$0.00	\$60.00
	12/01/2017	\$38.60	\$7.60	\$14.65	\$0.00	\$60.85
	06/01/2018	\$39.55	\$7.60	\$14.65	\$0.00	\$61.80
	12/01/2018	\$40.50	\$7.60	\$14.65	\$0.00	\$62.75
	06/01/2019	\$41.50	\$7.60	\$14.65	\$0.00	\$63.75
	12/01/2019	\$42.50	\$7.60	\$14.65	\$0.00	\$64.75

For apprentice rates see "Apprentice- LABORER"

DEMO: CONCRETE CUTTER/SAWYER LABORERS - ZONE 3 (BUILDING & SITE)	06/01/2017	\$38.00	\$7.60	\$14.65	\$0.00	\$60.25
	12/01/2017	\$38.85	\$7.60	\$14.65	\$0.00	\$61.10
	06/01/2018	\$39.80	\$7.60	\$14.65	\$0.00	\$62.05
	12/01/2018	\$40.75	\$7.60	\$14.65	\$0.00	\$63.00
	06/01/2019	\$41.75	\$7.60	\$14.65	\$0.00	\$64.00
	12/01/2019	\$42.75	\$7.60	\$14.65	\$0.00	\$65.00

For apprentice rates see "Apprentice- LABORER"

Classification	Effective Date	Base Wage	Health	Pension	Supplemental Unemployment	Total Rate
DEMO: JACKHAMMER OPERATOR <i>LABORERS - ZONE 3 (BUILDING & SITE)</i>	06/01/2017	\$37.75	\$7.60	\$14.65	\$0.00	\$60.00
	12/01/2017	\$38.60	\$7.60	\$14.65	\$0.00	\$60.85
	06/01/2018	\$39.55	\$7.60	\$14.65	\$0.00	\$61.80
	12/01/2018	\$40.50	\$7.60	\$14.65	\$0.00	\$62.75
	06/01/2019	\$41.50	\$7.60	\$14.65	\$0.00	\$63.75
	12/01/2019	\$42.50	\$7.60	\$14.65	\$0.00	\$64.75
For apprentice rates see "Apprentice- LABORER"						
DEMO: WRECKING LABORER <i>LABORERS - ZONE 3 (BUILDING & SITE)</i>	06/01/2017	\$37.00	\$7.60	\$14.65	\$0.00	\$59.25
	12/01/2017	\$37.85	\$7.60	\$14.65	\$0.00	\$60.10
	06/01/2018	\$38.80	\$7.60	\$14.65	\$0.00	\$61.05
	12/01/2018	\$39.75	\$7.60	\$14.65	\$0.00	\$62.00
	06/01/2019	\$40.75	\$7.60	\$14.65	\$0.00	\$63.00
	12/01/2019	\$41.75	\$7.60	\$14.65	\$0.00	\$64.00
For apprentice rates see "Apprentice- LABORER"						
DIVER <i>PILE DRIVER LOCAL 56 (ZONE 3)</i>	08/01/2015	\$60.34	\$9.80	\$18.17	\$0.00	\$88.31
For apprentice rates see "Apprentice- PILE DRIVER"						
DIVER TENDER <i>PILE DRIVER LOCAL 56 (ZONE 3)</i>	08/01/2015	\$43.10	\$9.80	\$18.17	\$0.00	\$71.07
For apprentice rates see "Apprentice- PILE DRIVER"						
DIVER TENDER (EFFLUENT) <i>PILE DRIVER LOCAL 56 (ZONE 3)</i>	08/01/2015	\$64.65	\$9.80	\$18.17	\$0.00	\$92.62
For apprentice rates see "Apprentice- PILE DRIVER"						
DIVER/SLURRY (EFFLUENT) <i>PILE DRIVER LOCAL 56 (ZONE 3)</i>	08/01/2015	\$90.51	\$9.80	\$18.17	\$0.00	\$118.48
For apprentice rates see "Apprentice- PILE DRIVER"						
ELECTRICIAN (Including Core Drilling) <i>ELECTRICIANS LOCAL 7</i>	01/01/2017	\$39.51	\$9.35	\$10.84	\$0.00	\$59.70

Apprentice - ELECTRICIAN - Local 7

Effective Date - 01/01/2017

Step	percent	Apprentice Base Wage	Health	Pension	Supplemental Unemployment	Total Rate
1	40	\$15.80	\$5.00	\$0.47	\$0.00	\$21.27
2	45	\$17.78	\$5.00	\$0.53	\$0.00	\$23.31
3	50	\$19.76	\$9.35	\$6.54	\$0.00	\$35.65
4	55	\$21.73	\$9.35	\$6.60	\$0.00	\$37.68
5	65	\$25.68	\$9.35	\$7.72	\$0.00	\$42.75
6	70	\$27.66	\$9.35	\$8.78	\$0.00	\$45.79

Notes: Pre-5/31/11 Begins at Step 3 \$39.72/4\$41.75/5\$46.38/6\$48.60

Steps 1-2 are 1000 hrs; Steps 3-6 are 1500 hrs.

Apprentice to Journeyworker Ratio:2:3****

ELEVATOR CONSTRUCTOR <i>ELEVATOR CONSTRUCTORS LOCAL 41</i>	01/01/2017	\$49.90	\$15.28	\$15.71	\$0.00	\$80.89
---	------------	---------	---------	---------	--------	---------

Apprentice - ELEVATOR CONSTRUCTOR - Local 41

Effective Date - 01/01/2017

Step	percent	Apprentice Base Wage	Health	Pension	Supplemental Unemployment	Total Rate
1	50	\$24.95	\$15.28	\$15.71	\$0.00	\$55.94
2	55	\$27.45	\$15.28	\$15.71	\$0.00	\$58.44
3	65	\$32.44	\$15.28	\$15.71	\$0.00	\$63.43
4	70	\$34.93	\$15.28	\$15.71	\$0.00	\$65.92
5	80	\$39.92	\$15.28	\$15.71	\$0.00	\$70.91

Notes:
Steps 1-2 are 6 mos.; Steps 3-5 are 1 year

Apprentice to Journeyworker Ratio:1:1

ELEVATOR CONSTRUCTOR HELPER <i>ELEVATOR CONSTRUCTORS LOCAL 41</i>	01/01/2017	\$34.93	\$15.28	\$15.71	\$0.00	\$65.92
For apprentice rates see "Apprentice - ELEVATOR CONSTRUCTOR"						
FENCE & GUARD RAIL ERECTOR (HEAVY & HIGHWAY) <i>LABORERS - ZONE 3 (HEAVY & HIGHWAY)</i>	12/01/2016	\$29.75	\$7.60	\$10.62	\$0.00	\$47.97
For apprentice rates see "Apprentice- LABORER (Heavy and Highway)"						
FIELD ENG.INST/ROD-BLDG,SITE,HVY/HWY <i>OPERATING ENGINEERS LOCAL 98</i>	06/01/1999	\$18.84	\$4.80	\$4.10	\$0.00	\$27.74
FIELD ENG.PARTY CHIEF:BLDG,SITE,HVY/HWY <i>OPERATING ENGINEERS LOCAL 98</i>	06/01/1999	\$21.33	\$4.80	\$4.10	\$0.00	\$30.23
FIELD ENG.SURVEY CHIEF-BLDG,SITE,HVY/HWY <i>OPERATING ENGINEERS LOCAL 98</i>	06/01/1999	\$22.33	\$4.80	\$4.10	\$0.00	\$31.23
FIRE ALARM INSTALLER <i>ELECTRICIANS LOCAL 7</i>	01/01/2017	\$39.51	\$9.35	\$10.84	\$0.00	\$59.70
For apprentice rates see "Apprentice- ELECTRICIAN"						
FIRE ALARM REPAIR / MAINTENANCE / COMMISSIONING <i>ELECTRICIANS LOCAL 7</i>	01/01/2017	\$39.51	\$9.35	\$10.84	\$0.00	\$59.70
For apprentice rates see "Apprentice- TELECOMMUNICATIONS TECHNICIAN"						
FIREMAN <i>OPERATING ENGINEERS LOCAL 98</i>	06/01/2017	\$33.35	\$10.79	\$12.75	\$0.00	\$56.89
	12/01/2017	\$33.95	\$10.79	\$13.02	\$0.00	\$57.76
	06/01/2018	\$34.56	\$10.79	\$13.29	\$0.00	\$58.64
	12/01/2018	\$35.16	\$10.79	\$13.56	\$0.00	\$59.51
	06/01/2019	\$35.67	\$10.79	\$13.83	\$0.00	\$60.29
	12/01/2019	\$36.27	\$10.79	\$14.10	\$0.00	\$61.16

Apprentice - OPERATING ENGINEERS - Local 98 Class 3

Effective Date - 06/01/2017

Step	percent	Apprentice Base Wage	Health	Pension	Supplemental Unemployment	Total Rate
1	60	\$20.01	\$10.79	\$12.75	\$0.00	\$43.55
2	70	\$23.35	\$10.79	\$12.75	\$0.00	\$46.89
3	80	\$26.68	\$10.79	\$12.75	\$0.00	\$50.22
4	90	\$30.02	\$10.79	\$12.75	\$0.00	\$53.56

Effective Date - 12/01/2017

Step	percent	Apprentice Base Wage	Health	Pension	Supplemental Unemployment	Total Rate
1	60	\$20.37	\$10.79	\$13.02	\$0.00	\$44.18
2	70	\$23.77	\$10.79	\$13.02	\$0.00	\$47.58
3	80	\$27.16	\$10.79	\$13.02	\$0.00	\$50.97
4	90	\$30.56	\$10.79	\$13.02	\$0.00	\$54.37

Notes:

Steps 1-2 are 1000 hrs.; Steps 3-4 are 2000 hrs.

Apprentice to Journeyworker Ratio:1:6

FLAGGER & SIGNALER (HEAVY & HIGHWAY) LABORERS - ZONE 3 (HEAVY & HIGHWAY)	12/01/2016	\$20.50	\$7.60	\$10.62	\$0.00	\$38.72
---	------------	---------	--------	---------	--------	---------

For apprentice rates see "Apprentice- LABORER (Heavy and Highway)

FLOORCOVERER FLOORCOVERERS LOCAL 2168 ZONE III	03/01/2016	\$32.60	\$8.55	\$14.42	\$0.00	\$55.57
---	------------	---------	--------	---------	--------	---------

Apprentice - FLOORCOVERER - Local 2168 Zone III

Effective Date - 03/01/2016

Step	percent	Apprentice Base Wage	Health	Pension	Supplemental Unemployment	Total Rate
1	50	\$16.30	\$8.55	\$1.20	\$0.00	\$26.05
2	55	\$17.93	\$8.55	\$1.20	\$0.00	\$27.68
3	60	\$19.56	\$8.55	\$10.82	\$0.00	\$38.93
4	65	\$21.19	\$8.55	\$10.82	\$0.00	\$40.56
5	70	\$22.82	\$8.55	\$12.02	\$0.00	\$43.39
6	75	\$24.45	\$8.55	\$12.02	\$0.00	\$45.02
7	80	\$26.08	\$8.55	\$13.22	\$0.00	\$47.85
8	85	\$27.71	\$8.55	\$13.22	\$0.00	\$49.48

Notes:

Steps are 750 hrs.

Apprentice to Journeyworker Ratio:1:1

Classification	Effective Date	Base Wage	Health	Pension	Supplemental Unemployment	Total Rate
FORK LIFT <i>OPERATING ENGINEERS LOCAL 98</i>	06/01/2017	\$33.57	\$10.79	\$12.75	\$0.00	\$57.11
	12/01/2017	\$34.17	\$10.79	\$13.02	\$0.00	\$57.98
	06/01/2018	\$34.78	\$10.79	\$13.29	\$0.00	\$58.86
	12/01/2018	\$35.38	\$10.79	\$13.56	\$0.00	\$59.73
	06/01/2019	\$35.89	\$10.79	\$13.83	\$0.00	\$60.51
	12/01/2019	\$36.49	\$10.79	\$14.10	\$0.00	\$61.38

For apprentice rates see "Apprentice- OPERATING ENGINEERS"

GENERATORS/LIGHTING PLANTS <i>OPERATING ENGINEERS LOCAL 98</i>	06/01/2017	\$30.12	\$10.79	\$12.75	\$0.00	\$53.66
	12/01/2017	\$30.72	\$10.79	\$13.02	\$0.00	\$54.53
	06/01/2018	\$31.33	\$10.79	\$13.29	\$0.00	\$55.41
	12/01/2018	\$31.93	\$10.79	\$13.56	\$0.00	\$56.28
	06/01/2019	\$32.44	\$10.79	\$13.83	\$0.00	\$57.06
	12/01/2019	\$33.04	\$10.79	\$14.10	\$0.00	\$57.93

For apprentice rates see "Apprentice- OPERATING ENGINEERS"

GLAZIER (GLASS PLANK/AIR BARRIER/INTERIOR SYSTEMS) <i>GLAZIERS LOCAL 1333</i>	06/01/2016	\$35.58	\$10.70	\$8.25	\$0.00	\$54.53
--	------------	---------	---------	--------	--------	---------

Apprentice - GLAZIER - Local 1333

Effective Date - 06/01/2016

Step	percent	Apprentice Base Wage	Health	Pension	Supplemental Unemployment	Total Rate
1	50	\$17.79	\$10.70	\$1.00	\$0.00	\$29.49
2	56	\$20.01	\$10.70	\$1.00	\$0.00	\$31.71
3	63	\$22.24	\$10.70	\$1.50	\$0.00	\$34.44
4	69	\$24.46	\$10.70	\$1.50	\$0.00	\$36.66
5	75	\$26.69	\$10.70	\$2.00	\$0.00	\$39.39
6	81	\$28.91	\$10.70	\$2.00	\$0.00	\$41.61
7	88	\$31.13	\$10.70	\$8.00	\$0.00	\$49.83
8	94	\$33.36	\$10.70	\$8.00	\$0.00	\$52.06

Notes:

Apprentice to Journeyworker Ratio:1:3

GRADER/TRENCHING MACHINE/DERRICK <i>OPERATING ENGINEERS LOCAL 98</i>	06/01/2017	\$33.88	\$10.79	\$12.75	\$0.00	\$57.42
	12/01/2017	\$34.48	\$10.79	\$13.02	\$0.00	\$58.29
	06/01/2018	\$35.09	\$10.79	\$13.29	\$0.00	\$59.17
	12/01/2018	\$35.69	\$10.79	\$13.56	\$0.00	\$60.04
	06/01/2019	\$36.20	\$10.79	\$13.83	\$0.00	\$60.82
	12/01/2019	\$36.80	\$10.79	\$14.10	\$0.00	\$61.69

For apprentice rates see "Apprentice- OPERATING ENGINEERS"

HVAC (DUCTWORK) <i>SHEETMETAL WORKERS LOCAL 63</i>	01/01/2017	\$32.24	\$10.64	\$15.49	\$1.75	\$60.12
---	------------	---------	---------	---------	--------	---------

For apprentice rates see "Apprentice- SHEET METAL WORKER"

HVAC (ELECTRICAL CONTROLS) <i>ELECTRICIANS LOCAL 7</i>	01/01/2017	\$39.51	\$9.35	\$10.84	\$0.00	\$59.70
---	------------	---------	--------	---------	--------	---------

For apprentice rates see "Apprentice- ELECTRICIAN"

Classification	Effective Date	Base Wage	Health	Pension	Supplemental Unemployment	Total Rate
HVAC (TESTING AND BALANCING - AIR) SHEETMETAL WORKERS LOCAL 63	01/01/2017	\$32.24	\$10.64	\$15.49	\$1.75	\$60.12
For apprentice rates see "Apprentice- SHEET METAL WORKER"						
HVAC (TESTING AND BALANCING -WATER) PLUMBERS & PIPEFITTERS LOCAL 104	03/17/2017	\$39.26	\$8.50	\$15.30	\$0.00	\$63.06
	09/17/2017	\$40.01	\$8.50	\$15.30	\$0.00	\$63.81
	03/17/2018	\$40.76	\$8.50	\$15.30	\$0.00	\$64.56
	09/17/2018	\$41.51	\$8.50	\$15.30	\$0.00	\$65.31
	03/17/2019	\$42.26	\$8.50	\$15.30	\$0.00	\$66.06
For apprentice rates see "Apprentice- PIPEFITTER" or "PLUMBER/PIPEFITTER"						
HVAC MECHANIC PLUMBERS & PIPEFITTERS LOCAL 104	03/17/2017	\$39.26	\$8.50	\$15.30	\$0.00	\$63.06
	09/17/2017	\$40.01	\$8.50	\$15.30	\$0.00	\$63.81
	03/17/2018	\$40.76	\$8.50	\$15.30	\$0.00	\$64.56
	09/17/2018	\$41.51	\$8.50	\$15.30	\$0.00	\$65.31
	03/17/2019	\$42.26	\$8.50	\$15.30	\$0.00	\$66.06
For apprentice rates see "Apprentice- PIPEFITTER" or "PLUMBER/PIPEFITTER"						
HYDRAULIC DRILLS (HEAVY & HIGHWAY) LABORERS - ZONE 3 (HEAVY & HIGHWAY)	12/01/2016	\$30.25	\$7.60	\$10.62	\$0.00	\$48.47
For apprentice rates see "Apprentice- LABORER (Heavy and Highway)"						
INSULATOR (PIPES & TANKS) HEAT & FROST INSULATORS LOCAL 6 (SPRINGFIELD)	09/01/2016	\$36.07	\$11.75	\$14.20	\$0.00	\$62.02
	09/01/2017	\$37.67	\$11.75	\$14.20	\$0.00	\$63.62
	09/01/2018	\$39.47	\$11.75	\$14.20	\$0.00	\$65.42
	09/01/2019	\$41.47	\$11.75	\$14.20	\$0.00	\$67.42

Apprentice - ASBESTOS INSULATOR (Pipes & Tanks) - Local 6 Springfield

Effective Date - 09/01/2016

Step	percent	Apprentice Base Wage	Health	Pension	Supplemental Unemployment	Total Rate
1	50	\$18.04	\$11.75	\$10.45	\$0.00	\$40.24
2	60	\$21.64	\$11.75	\$11.20	\$0.00	\$44.59
3	70	\$25.25	\$11.75	\$11.95	\$0.00	\$48.95
4	80	\$28.86	\$11.75	\$12.70	\$0.00	\$53.31

Effective Date - 09/01/2017

Step	percent	Apprentice Base Wage	Health	Pension	Supplemental Unemployment	Total Rate
1	50	\$18.84	\$11.75	\$10.45	\$0.00	\$41.04
2	60	\$22.60	\$11.75	\$11.20	\$0.00	\$45.55
3	70	\$26.37	\$11.75	\$11.95	\$0.00	\$50.07
4	80	\$30.14	\$11.75	\$12.70	\$0.00	\$54.59

Notes:

Steps are 1 year

Apprentice to Journeyworker Ratio:1:4

IRONWORKER/WELDER IRONWORKERS LOCAL 7 (SPRINGFIELD AREA)	03/16/2017	\$32.39	\$7.80	\$19.60	\$0.00	\$59.79
---	------------	---------	--------	---------	--------	---------

Classification

Effective Date Base Wage Health Pension Supplemental Unemployment Total Rate

Apprentice - IRONWORKER - Local 7 Springfield

Effective Date - 03/16/2017

Step	percent	Apprentice Base Wage	Health	Pension	Supplemental Unemployment	Total Rate
1	60	\$19.43	\$7.80	\$19.60	\$0.00	\$46.83
2	70	\$22.67	\$7.80	\$19.60	\$0.00	\$50.07
3	75	\$24.29	\$7.80	\$19.60	\$0.00	\$51.69
4	80	\$25.91	\$7.80	\$19.60	\$0.00	\$53.31
5	85	\$27.53	\$7.80	\$19.60	\$0.00	\$54.93
6	90	\$29.15	\$7.80	\$19.60	\$0.00	\$56.55

Notes:
Structural 1:6; Ornamental 1:4

Apprentice to Journeyworker Ratio:

JACKHAMMER & PAVING BREAKER OPERATOR LABORERS - ZONE 3 (BUILDING & SITE)	12/05/2016	\$29.83	\$7.60	\$12.50	\$0.00	\$49.93
---	------------	---------	--------	---------	--------	---------

For apprentice rates see "Apprentice- LABORER"

LABORER LABORERS - ZONE 3 (BUILDING & SITE)	12/05/2016	\$29.58	\$7.60	\$12.50	\$0.00	\$49.68
--	------------	---------	--------	---------	--------	---------

Apprentice - LABORER - Zone 3 Building & Site

Effective Date - 12/05/2016

Step	percent	Apprentice Base Wage	Health	Pension	Supplemental Unemployment	Total Rate
1	60	\$17.75	\$7.60	\$12.50	\$0.00	\$37.85
2	70	\$20.71	\$7.60	\$12.50	\$0.00	\$40.81
3	80	\$23.66	\$7.60	\$12.50	\$0.00	\$43.76
4	90	\$26.62	\$7.60	\$12.50	\$0.00	\$46.72

Notes:

Apprentice to Journeyworker Ratio:1:5

LABORER (HEAVY & HIGHWAY) LABORERS - ZONE 3 (HEAVY & HIGHWAY)	12/01/2016	\$29.50	\$7.60	\$10.62	\$0.00	\$47.72
--	------------	---------	--------	---------	--------	---------

Apprentice - LABORER (Heavy & Highway) - Zone 3

Effective Date - 12/01/2016

Step	percent	Apprentice Base Wage	Health	Pension	Supplemental Unemployment	Total Rate
1	60	\$17.70	\$7.60	\$10.62	\$0.00	\$35.92
2	70	\$20.65	\$7.60	\$10.62	\$0.00	\$38.87
3	80	\$23.60	\$7.60	\$10.62	\$0.00	\$41.82
4	90	\$26.55	\$7.60	\$10.62	\$0.00	\$44.77

Notes:

Apprentice to Journeyworker Ratio:1:5

LABORER: CARPENTER TENDER <i>LABORERS - ZONE 3 (BUILDING & SITE)</i>	12/05/2016	\$29.58	\$7.60	\$12.50	\$0.00	\$49.68
---	------------	---------	--------	---------	--------	---------

For apprentice rates see "Apprentice- LABORER"

LABORER: CEMENT FINISHER TENDER <i>LABORERS - ZONE 3 (BUILDING & SITE)</i>	12/05/2016	\$29.83	\$7.60	\$12.50	\$0.00	\$49.93
---	------------	---------	--------	---------	--------	---------

For apprentice rates see "Apprentice- LABORER"

LABORER: HAZARDOUS WASTE/ASBESTOS REMOVER <i>LABORERS - ZONE 3 (BUILDING & SITE)</i>	06/01/2017	\$30.18	\$7.60	\$12.77	\$0.00	\$50.55
	12/01/2017	\$30.94	\$7.60	\$12.77	\$0.00	\$51.31
	06/01/2018	\$31.72	\$7.60	\$12.77	\$0.00	\$52.09
	12/01/2018	\$32.49	\$7.60	\$12.77	\$0.00	\$52.86
	06/01/2019	\$33.30	\$7.60	\$12.77	\$0.00	\$53.67
	12/01/2019	\$34.11	\$7.60	\$12.77	\$0.00	\$54.48

For apprentice rates see "Apprentice- LABORER"

LABORER: MASON TENDER <i>LABORERS - ZONE 3 (BUILDING & SITE)</i>	12/05/2016	\$30.58	\$7.60	\$12.50	\$0.00	\$50.68
---	------------	---------	--------	---------	--------	---------

For apprentice rates see "Apprentice- LABORER"

LABORER: MASON TENDER (HEAVY & HIGHWAY) <i>LABORERS - ZONE 3 (HEAVY & HIGHWAY)</i>	12/01/2016	\$29.75	\$7.60	\$10.62	\$0.00	\$47.97
---	------------	---------	--------	---------	--------	---------

For apprentice rates see "Apprentice- LABORER (Heavy and Highway)"

LABORER: MULTI-TRADE TENDER <i>LABORERS - ZONE 3 (BUILDING & SITE)</i>	12/05/2016	\$29.58	\$7.60	\$12.50	\$0.00	\$49.68
---	------------	---------	--------	---------	--------	---------

For apprentice rates see "Apprentice- LABORER"

LABORER: TREE REMOVER <i>LABORERS - ZONE 3 (BUILDING & SITE)</i>	12/05/2016	\$29.58	\$7.60	\$12.50	\$0.00	\$49.68
---	------------	---------	--------	---------	--------	---------

This classification applies to all tree work associated with the removal of standing trees, and trimming and removal of branches and limbs when the work is not done for a utility company for the purpose of operation, maintenance or repair of utility company equipment. For apprentice rates see "Apprentice- LABORER"

LASER BEAM OPERATOR <i>LABORERS - ZONE 3 (BUILDING & SITE)</i>	12/05/2016	\$29.83	\$7.60	\$12.50	\$0.00	\$49.93
---	------------	---------	--------	---------	--------	---------

For apprentice rates see "Apprentice- LABORER"

LASER BEAM OPERATOR (HEAVY & HIGHWAY) <i>LABORERS - ZONE 3 (HEAVY & HIGHWAY)</i>	12/01/2016	\$29.75	\$7.60	\$10.62	\$0.00	\$47.97
---	------------	---------	--------	---------	--------	---------

For apprentice rates see "Apprentice- LABORER (Heavy and Highway)"

MARBLE & TILE FINISHERS <i>BRICKLAYERS LOCAL 3 (SPR/PITT) - MARBLE & TILE</i>	02/27/2017	\$32.67	\$10.75	\$17.05	\$0.00	\$60.47
--	------------	---------	---------	---------	--------	---------

Classification

Effective Date Base Wage Health Pension Supplemental Unemployment Total Rate

Apprentice - MARBLE-TILE-TERRAZZO FINISHER-Local 3 Marble/Tile (Spr/Pitt)

Effective Date - 02/27/2017

Step	percent	Apprentice Base Wage	Health	Pension	Supplemental Unemployment	Total Rate
1	50	\$16.34	\$10.75	\$17.05	\$0.00	\$44.14
2	60	\$19.60	\$10.75	\$17.05	\$0.00	\$47.40
3	70	\$22.87	\$10.75	\$17.05	\$0.00	\$50.67
4	80	\$26.14	\$10.75	\$17.05	\$0.00	\$53.94
5	90	\$29.40	\$10.75	\$17.05	\$0.00	\$57.20

Notes:

Apprentice to Journeyworker Ratio:1:5

MARBLE MASONS, TILELAYERS & TERRAZZO MECH BRICKLAYERS LOCAL 3 (SPR/PITT) - MARBLE & TILE	02/27/2017	\$39.26	\$10.75	\$17.38	\$0.00	\$67.39
---	------------	---------	---------	---------	--------	---------

Apprentice - MARBLE-TILE-TERRAZZO MECH - Local 3 Marble/Tile (Spr/Pitt)

Effective Date - 02/27/2017

Step	percent	Apprentice Base Wage	Health	Pension	Supplemental Unemployment	Total Rate
1	50	\$19.63	\$10.75	\$17.38	\$0.00	\$47.76
2	60	\$23.56	\$10.75	\$17.38	\$0.00	\$51.69
3	70	\$27.48	\$10.75	\$17.38	\$0.00	\$55.61
4	80	\$31.41	\$10.75	\$17.38	\$0.00	\$59.54
5	90	\$35.33	\$10.75	\$17.38	\$0.00	\$63.46

Notes:

Apprentice to Journeyworker Ratio:1:5

MECH. SWEEPER OPERATOR (ON CONST. SITES) OPERATING ENGINEERS LOCAL 98	06/01/2017	\$33.88	\$10.79	\$12.75	\$0.00	\$57.42
	12/01/2017	\$34.48	\$10.79	\$13.02	\$0.00	\$58.29
	06/01/2018	\$35.09	\$10.79	\$13.29	\$0.00	\$59.17
	12/01/2018	\$35.69	\$10.79	\$13.56	\$0.00	\$60.04
	06/01/2019	\$36.20	\$10.79	\$13.83	\$0.00	\$60.82
	12/01/2019	\$36.80	\$10.79	\$14.10	\$0.00	\$61.69

For apprentice rates see "Apprentice- OPERATING ENGINEERS"

MECHANIC/WELDER/BOOM TRUCK OPERATING ENGINEERS LOCAL 98	06/01/2017	\$33.35	\$10.79	\$12.75	\$0.00	\$56.89
	12/01/2017	\$33.95	\$10.79	\$13.02	\$0.00	\$57.76
	06/01/2018	\$34.56	\$10.79	\$13.29	\$0.00	\$58.64
	12/01/2018	\$35.16	\$10.79	\$13.56	\$0.00	\$59.51
	06/01/2019	\$35.67	\$10.79	\$13.83	\$0.00	\$60.29
	12/01/2019	\$36.27	\$10.79	\$14.10	\$0.00	\$61.16

For apprentice rates see "Apprentice- OPERATING ENGINEERS"

Classification	Effective Date	Base Wage	Health	Pension	Supplemental Unemployment	Total Rate
MILLWRIGHT (Zone 3)	04/01/2017	\$33.81	\$9.90	\$18.50	\$0.00	\$62.21
MILLWRIGHTS LOCAL 1121 - Zone 3	10/01/2017	\$34.64	\$9.90	\$18.50	\$0.00	\$63.04
	04/01/2018	\$35.46	\$9.90	\$18.50	\$0.00	\$63.86
	10/01/2018	\$36.29	\$9.90	\$18.50	\$0.00	\$64.69
	04/01/2019	\$37.11	\$9.90	\$18.50	\$0.00	\$65.51

Apprentice - MILLWRIGHT - Local 1121 Zone 3

Effective Date - 04/01/2017

Step	percent	Apprentice Base Wage	Health	Pension	Supplemental Unemployment	Total Rate
1	55	\$18.60	\$9.90	\$5.31	\$0.00	\$33.81
2	65	\$21.98	\$9.90	\$15.13	\$0.00	\$47.01
3	75	\$25.36	\$9.90	\$16.10	\$0.00	\$51.36
4	85	\$28.74	\$9.90	\$17.06	\$0.00	\$55.70

Effective Date - 10/01/2017

Step	percent	Apprentice Base Wage	Health	Pension	Supplemental Unemployment	Total Rate
1	55	\$19.05	\$9.90	\$5.31	\$0.00	\$34.26
2	65	\$22.52	\$9.90	\$15.13	\$0.00	\$47.55
3	75	\$25.98	\$9.90	\$16.10	\$0.00	\$51.98
4	85	\$29.44	\$9.90	\$17.06	\$0.00	\$56.40

Notes:

Steps are 2,000 hours

Apprentice to Journeyworker Ratio:1:5

MORTAR MIXER	12/05/2016	\$29.83	\$7.60	\$12.50	\$0.00	\$49.93
LABORERS - ZONE 3 (BUILDING & SITE)						

For apprentice rates see "Apprentice- LABORER"

OILER	06/01/2017	\$29.04	\$10.79	\$12.75	\$0.00	\$52.58
OPERATING ENGINEERS LOCAL 98	12/01/2017	\$29.64	\$10.79	\$13.02	\$0.00	\$53.45
	06/01/2018	\$30.25	\$10.79	\$13.29	\$0.00	\$54.33
	12/01/2018	\$30.85	\$10.79	\$13.56	\$0.00	\$55.20
	06/01/2019	\$31.36	\$10.79	\$13.83	\$0.00	\$55.98
	12/01/2019	\$31.96	\$10.79	\$14.10	\$0.00	\$56.85

For apprentice rates see "Apprentice- OPERATING ENGINEERS"

OTHER POWER DRIVEN EQUIPMENT - CLASS VI	06/01/2017	\$27.06	\$10.79	\$12.75	\$0.00	\$50.60
OPERATING ENGINEERS LOCAL 98	12/01/2017	\$27.66	\$10.79	\$13.02	\$0.00	\$51.47
	06/01/2018	\$28.27	\$10.79	\$13.29	\$0.00	\$52.35
	12/01/2018	\$28.87	\$10.79	\$13.56	\$0.00	\$53.22
	06/01/2019	\$29.38	\$10.79	\$13.83	\$0.00	\$54.00
	12/01/2019	\$29.98	\$10.79	\$14.10	\$0.00	\$54.87

For apprentice rates see "Apprentice- OPERATING ENGINEERS"

PAINTER (BRIDGES/TANKS)	01/01/2017	\$51.41	\$7.85	\$16.10	\$0.00	\$75.36
PAINTERS LOCAL 35 - ZONE 3						

Classification

Effective Date Base Wage Health Pension Supplemental Unemployment Total Rate

Apprentice - PAINTER Local 35 - BRIDGES/TANKS

Effective Date - 01/01/2017

Table with 7 columns: Step, percent, Apprentice Base Wage, Health, Pension, Supplemental Unemployment, Total Rate. Rows 1-8 showing wage progression from \$25.71 to \$46.27.

Notes: Steps are 750 hrs.

Apprentice to Journeyworker Ratio:1:1

PAINTER (SPRAY OR SANDBLAST, NEW) * 01/01/2017 \$34.68 \$7.85 \$12.30 \$0.00 \$54.83

* If 30% or more of surfaces to be painted are new construction, NEW paint rate shall be used. PAINTERS LOCAL 35 - ZONE 3

Apprentice - PAINTER Local 35 Zone 3 - Spray/Sandblast - New

Effective Date - 01/01/2017

Table with 7 columns: Step, percent, Apprentice Base Wage, Health, Pension, Supplemental Unemployment, Total Rate. Rows 1-8 showing wage progression from \$17.34 to \$31.21.

Notes: Steps are 750 hrs.

Apprentice to Journeyworker Ratio:1:1

PAINTER (SPRAY OR SANDBLAST, REPAINT) 01/01/2017 \$32.00 \$7.85 \$12.30 \$0.00 \$52.15

PAINTERS LOCAL 35 - ZONE 3

Apprentice - PAINTER Local 35 Zone 3 - Spray/Sandblast - Repaint

Effective Date - 01/01/2017

Table with 8 columns: Step, percent, Apprentice Base Wage, Health, Pension, Supplemental Unemployment, Total Rate. Rows 1-8 showing wage progression from \$16.00 to \$28.80.

Notes: Steps are 750 hrs.

Apprentice to Journeyworker Ratio:1:1

PAINTER / TAPER (BRUSH, NEW) * 01/01/2017 \$33.28 \$7.85 \$12.30 \$0.00 \$53.43

* If 30% or more of surfaces to be painted are new construction, NEW paint rate shall be used. PAINTERS LOCAL 35 - ZONE 3

Apprentice - PAINTER - Local 35 Zone 3 - BRUSH NEW

Effective Date - 01/01/2017

Table with 8 columns: Step, percent, Apprentice Base Wage, Health, Pension, Supplemental Unemployment, Total Rate. Rows 1-8 showing wage progression from \$16.64 to \$29.95.

Notes: Steps are 750 hrs.

Apprentice to Journeyworker Ratio:1:1

PAINTER / TAPER (BRUSH, REPAINT) 01/01/2017 \$30.60 \$7.85 \$12.30 \$0.00 \$50.75

PAINTERS LOCAL 35 - ZONE 3

Apprentice - PAINTER Local 35 Zone 3 - BRUSH REPAINT

Effective Date - 01/01/2017

Step	percent	Apprentice Base Wage	Health	Pension	Supplemental Unemployment	Total Rate
1	50	\$15.30	\$7.85	\$0.00	\$0.00	\$23.15
2	55	\$16.83	\$7.85	\$1.57	\$0.00	\$26.25
3	60	\$18.36	\$7.85	\$1.71	\$0.00	\$27.92
4	65	\$19.89	\$7.85	\$1.85	\$0.00	\$29.59
5	70	\$21.42	\$7.85	\$11.45	\$0.00	\$40.72
6	75	\$22.95	\$7.85	\$11.59	\$0.00	\$42.39
7	80	\$24.48	\$7.85	\$11.73	\$0.00	\$44.06
8	90	\$27.54	\$7.85	\$12.02	\$0.00	\$47.41

Notes:
Steps are 750 hrs.

Apprentice to Journeyworker Ratio:1:1

PAINTER TRAFFIC MARKINGS (HEAVY/HIGHWAY) <i>LABORERS - ZONE 3 (HEAVY & HIGHWAY)</i>	12/01/2016	\$29.50	\$7.60	\$10.62	\$0.00	\$47.72
For apprentice rates see "Apprentice- LABORER (Heavy and Highway)						
PANEL & PICKUP TRUCKS DRIVER <i>TEAMSTERS JOINT COUNCIL NO. 10 ZONE B</i>	12/01/2012	\$30.28	\$9.07	\$8.00	\$0.00	\$47.35
PIER AND DOCK CONSTRUCTOR (UNDERPINNING AND DECK) <i>PILE DRIVER LOCAL 56 (ZONE 3)</i>	08/31/2015	\$39.00	\$9.80	\$18.17	\$0.00	\$66.97
For apprentice rates see "Apprentice- PILE DRIVER"						
PILE DRIVER <i>PILE DRIVER LOCAL 56 (ZONE 3)</i>	08/31/2015	\$39.00	\$9.80	\$18.17	\$0.00	\$66.97

Apprentice - PILE DRIVER - Local 56 Zone 3

Effective Date - 08/31/2015

Step	percent	Apprentice Base Wage	Health	Pension	Supplemental Unemployment	Total Rate
1	0	\$0.00	\$0.00	\$0.00	\$0.00	\$0.00

Notes: Apprentice wages shall be no less than the following Steps;
(Same as set in Zone 1)
1\$50.05/2\$54.25/3\$58.46/4\$60.56/5\$62.66/6\$62.66/7\$66.87/8\$66.87

Apprentice to Journeyworker Ratio:1:3

PIPELAYER <i>LABORERS - ZONE 3 (BUILDING & SITE)</i>	12/05/2016	\$29.83	\$7.60	\$12.50	\$0.00	\$49.93
For apprentice rates see "Apprentice- LABORER"						
PIPELAYER (HEAVY & HIGHWAY) <i>LABORERS - ZONE 3 (HEAVY & HIGHWAY)</i>	12/01/2016	\$29.75	\$7.60	\$10.62	\$0.00	\$47.97
For apprentice rates see "Apprentice- LABORER (Heavy and Highway)						

Classification	Effective Date	Base Wage	Health	Pension	Supplemental Unemployment	Total Rate
PLUMBER & PIPEFITTER <i>PLUMBERS & PIPEFITTERS LOCAL 104</i>	03/17/2017	\$39.26	\$8.50	\$15.30	\$0.00	\$63.06
	09/17/2017	\$40.01	\$8.50	\$15.30	\$0.00	\$63.81
	03/17/2018	\$40.76	\$8.50	\$15.30	\$0.00	\$64.56
	09/17/2018	\$41.51	\$8.50	\$15.30	\$0.00	\$65.31
	03/17/2019	\$42.26	\$8.50	\$15.30	\$0.00	\$66.06

Apprentice - PLUMBER/PIPEFITTER - Local 104

Effective Date - 03/17/2017

Step	percent	Apprentice Base Wage	Health	Pension	Supplemental Unemployment	Total Rate
1	45	\$17.67	\$8.50	\$9.05	\$0.00	\$35.22
2	50	\$19.63	\$8.50	\$9.05	\$0.00	\$37.18
3	55	\$21.59	\$8.50	\$9.05	\$0.00	\$39.14
4	60	\$23.56	\$8.50	\$9.05	\$0.00	\$41.11
5	65	\$25.52	\$8.50	\$9.05	\$0.00	\$43.07
6	70	\$27.48	\$8.50	\$9.05	\$0.00	\$45.03
7	75	\$29.45	\$8.50	\$9.05	\$0.00	\$47.00
8	80	\$31.41	\$8.50	\$9.05	\$0.00	\$48.96
9	80	\$31.41	\$8.50	\$15.30	\$0.00	\$55.21
10	80	\$31.41	\$8.50	\$15.30	\$0.00	\$55.21

Effective Date - 09/17/2017

Step	percent	Apprentice Base Wage	Health	Pension	Supplemental Unemployment	Total Rate
1	45	\$18.00	\$8.50	\$9.05	\$0.00	\$35.55
2	50	\$20.01	\$8.50	\$9.05	\$0.00	\$37.56
3	55	\$22.01	\$8.50	\$9.05	\$0.00	\$39.56
4	60	\$24.01	\$8.50	\$9.05	\$0.00	\$41.56
5	65	\$26.01	\$8.50	\$9.05	\$0.00	\$43.56
6	70	\$28.01	\$8.50	\$9.05	\$0.00	\$45.56
7	75	\$30.01	\$8.50	\$9.05	\$0.00	\$47.56
8	80	\$32.01	\$8.50	\$9.05	\$0.00	\$49.56
9	80	\$32.01	\$8.50	\$15.30	\$0.00	\$55.81
10	80	\$32.01	\$8.50	\$15.30	\$0.00	\$55.81

Notes: **1:1,2:5,3:9,4:12

Apprentice to Journeyworker Ratio:**

PNEUMATIC CONTROLS (TEMP.) <i>PLUMBERS & PIPEFITTERS LOCAL 104</i>	03/17/2017	\$39.26	\$8.50	\$15.30	\$0.00	\$63.06
	09/17/2017	\$40.01	\$8.50	\$15.30	\$0.00	\$63.81
	03/17/2018	\$40.76	\$8.50	\$15.30	\$0.00	\$64.56
	09/17/2018	\$41.51	\$8.50	\$15.30	\$0.00	\$65.31
	03/17/2019	\$42.26	\$8.50	\$15.30	\$0.00	\$66.06

For apprentice rates see "Apprentice- PIPEFITTER" or "PLUMBER/PIPEFITTER"

PNEUMATIC DRILL/TOOL OPERATOR (HEAVY & HIGHWAY)	12/01/2016	\$29.75	\$7.60	\$10.62	\$0.00	\$47.97
---	------------	---------	--------	---------	--------	---------

LABORERS - ZONE 3 (HEAVY & HIGHWAY)

For apprentice rates see "Apprentice- LABORER (Heavy and Highway)"

Classification	Effective Date	Base Wage	Health	Pension	Supplemental Unemployment	Total Rate
POWDERMAN & BLASTER <i>LABORERS - ZONE 3 (BUILDING & SITE)</i>	12/05/2016	\$30.58	\$7.60	\$12.50	\$0.00	\$50.68
For apprentice rates see "Apprentice- LABORER"						
POWDERMAN & BLASTER (HEAVY & HIGHWAY) <i>LABORERS - ZONE 3 (HEAVY & HIGHWAY)</i>	12/01/2016	\$30.50	\$7.60	\$10.62	\$0.00	\$48.72
For apprentice rates see "Apprentice- LABORER (Heavy and Highway)"						
PUMP OPERATOR (CONCRETE) <i>OPERATING ENGINEERS LOCAL 98</i>	06/01/2017	\$33.88	\$10.79	\$12.75	\$0.00	\$57.42
	12/01/2017	\$34.48	\$10.79	\$13.02	\$0.00	\$58.29
	06/01/2018	\$35.09	\$10.79	\$13.29	\$0.00	\$59.17
	12/01/2018	\$35.69	\$10.79	\$13.56	\$0.00	\$60.04
	06/01/2019	\$36.20	\$10.79	\$13.83	\$0.00	\$60.82
	12/01/2019	\$36.80	\$10.79	\$14.10	\$0.00	\$61.69
For apprentice rates see "Apprentice- OPERATING ENGINEERS"						
PUMP OPERATOR (DEWATERING, OTHER) <i>OPERATING ENGINEERS LOCAL 98</i>	06/01/2017	\$33.35	\$10.79	\$12.75	\$0.00	\$56.89
	12/01/2017	\$33.95	\$10.79	\$13.02	\$0.00	\$57.76
	06/01/2018	\$34.56	\$10.79	\$13.29	\$0.00	\$58.64
	12/01/2018	\$35.16	\$10.79	\$13.56	\$0.00	\$59.51
	06/01/2019	\$35.67	\$10.79	\$13.83	\$0.00	\$60.29
	12/01/2019	\$36.27	\$10.79	\$14.10	\$0.00	\$61.16
For apprentice rates see "Apprentice- OPERATING ENGINEERS"						
READY-MIX CONCRETE DRIVER <i>TEAMSTERS LOCAL 404</i>	05/01/2016	\$21.01	\$10.23	\$9.40	\$0.00	\$40.64
RESIDENTIAL WOOD FRAME CARPENTER **	04/01/2017	\$22.08	\$7.07	\$7.18	\$0.00	\$36.33
** The Residential Wood Frame Carpenter classification applies only to the construction of new, wood frame residences that do not exceed four stories including the basement. <i>CARPENTERS LOCAL 108 - HAMPDEN HAMPSHIRE FRANKLIN</i>	10/01/2017	\$22.63	\$7.07	\$7.18	\$0.00	\$36.88
	04/01/2018	\$23.01	\$7.07	\$7.18	\$0.00	\$37.26
	10/01/2018	\$23.39	\$7.07	\$7.18	\$0.00	\$37.64
	04/01/2019	\$23.78	\$7.07	\$7.18	\$0.00	\$38.03
	10/01/2019	\$24.17	\$7.07	\$7.18	\$0.00	\$38.42

As of 9/1/09 Carpentry work on wood-frame residential WEATHERIZATION projects shall be paid the RESIDENTIAL WOOD FRAME CARPENTER rate.

Classification

Effective Date Base Wage Health Pension Supplemental Unemployment Total Rate

Apprentice - CARPENTER (Residential Wood Frame) - 108 Hampden Hampshire

Effective Date - 04/01/2017

Step	percent	Apprentice Base Wage	Health	Pension	Supplemental Unemployment	Total Rate
1	60	\$13.25	\$7.07	\$0.00	\$0.00	\$20.32
2	60	\$13.25	\$7.07	\$7.18	\$0.00	\$27.50
3	65	\$14.35	\$7.07	\$7.18	\$0.00	\$28.60
4	70	\$15.46	\$7.07	\$7.18	\$0.00	\$29.71
5	75	\$16.56	\$7.07	\$7.18	\$0.00	\$30.81
6	80	\$17.66	\$7.07	\$7.18	\$0.00	\$31.91
7	85	\$18.77	\$7.07	\$7.18	\$0.00	\$33.02
8	90	\$19.87	\$7.07	\$7.18	\$0.00	\$34.12

Effective Date - 10/01/2017

Step	percent	Apprentice Base Wage	Health	Pension	Supplemental Unemployment	Total Rate
1	60	\$13.58	\$7.07	\$0.00	\$0.00	\$20.65
2	60	\$13.58	\$7.07	\$7.18	\$0.00	\$27.83
3	65	\$14.71	\$7.07	\$7.18	\$0.00	\$28.96
4	70	\$15.84	\$7.07	\$7.18	\$0.00	\$30.09
5	75	\$16.97	\$7.07	\$7.18	\$0.00	\$31.22
6	80	\$18.10	\$7.07	\$7.18	\$0.00	\$32.35
7	85	\$19.24	\$7.07	\$7.18	\$0.00	\$33.49
8	90	\$20.37	\$7.07	\$7.18	\$0.00	\$34.62

Notes:

** 1: 1-5, 2: 6-8, 3: 9-11

Apprentice to Journeyworker Ratio:**

RIDE-ON MOTORIZED BUGGY OPERATOR 12/05/2016 \$29.83 \$7.60 \$12.50 \$0.00 \$49.93
LABORERS - ZONE 3 (BUILDING & SITE)

For apprentice rates see "Apprentice- LABORER"

ROLLER OPERATOR 06/01/2017 \$32.74 \$10.79 \$12.75 \$0.00 \$56.28
OPERATING ENGINEERS LOCAL 98
 12/01/2017 \$33.34 \$10.79 \$13.02 \$0.00 \$57.15
 06/01/2018 \$33.95 \$10.79 \$13.29 \$0.00 \$58.03
 12/01/2018 \$34.55 \$10.79 \$13.56 \$0.00 \$58.90
 06/01/2019 \$35.06 \$10.79 \$13.83 \$0.00 \$59.68
 12/01/2019 \$35.66 \$10.79 \$14.10 \$0.00 \$60.55

For apprentice rates see "Apprentice- OPERATING ENGINEERS"

ROOFER (Coal tar pitch) 10/16/2016 \$32.25 \$9.41 \$13.25 \$0.00 \$54.91
ROOFERS LOCAL 248

For apprentice rates see "Apprentice- ROOFER"

ROOFER (Inc.Roofers Waterproofng &Roofers Damproofg) 10/16/2016 \$31.75 \$9.41 \$12.75 \$0.00 \$53.91
ROOFERS LOCAL 248

Classification

Effective Date Base Wage Health Pension Supplemental Unemployment Total Rate

Apprentice - ROOFER - Local 248

Effective Date - 10/16/2016

Step	percent	Apprentice Base Wage	Health	Pension	Supplemental Unemployment	Total Rate
1	60	\$19.05	\$9.41	\$0.00	\$0.00	\$28.46
2	65	\$20.64	\$9.41	\$12.75	\$0.00	\$42.80
3	70	\$22.23	\$9.41	\$12.75	\$0.00	\$44.39
4	75	\$23.81	\$9.41	\$12.75	\$0.00	\$45.97
5	80	\$25.40	\$9.41	\$12.75	\$0.00	\$47.56
6	85	\$26.99	\$9.41	\$12.75	\$0.00	\$49.15
7	90	\$28.58	\$9.41	\$12.75	\$0.00	\$50.74
8	95	\$30.16	\$9.41	\$12.75	\$0.00	\$52.32

Notes:

Steps are 750 hrs.Roofer(Tear Off)1:1; Same as above

Apprentice to Journeyworker Ratio:1:3

ROOFER SLATE / TILE / PRECAST CONCRETE ROOFERS LOCAL 248	10/16/2016	\$32.25	\$9.41	\$13.25	\$0.00	\$54.91
---	------------	---------	--------	---------	--------	---------

For apprentice rates see "Apprentice- ROOFER"

SCRAPER OPERATING ENGINEERS LOCAL 98	06/01/2017	\$33.35	\$10.79	\$12.75	\$0.00	\$56.89
	12/01/2017	\$33.95	\$10.79	\$13.02	\$0.00	\$57.76
	06/01/2018	\$34.56	\$10.79	\$13.29	\$0.00	\$58.64
	12/01/2018	\$35.16	\$10.79	\$13.56	\$0.00	\$59.51
	06/01/2019	\$35.67	\$10.79	\$13.83	\$0.00	\$60.29
	12/01/2019	\$36.27	\$10.79	\$14.10	\$0.00	\$61.16

For apprentice rates see "Apprentice- OPERATING ENGINEERS"

SELF-POWERED ROLLERS AND COMPACTORS (TAMPERS) OPERATING ENGINEERS LOCAL 98	06/01/2017	\$32.74	\$10.79	\$12.75	\$0.00	\$56.28
	12/01/2017	\$33.34	\$10.79	\$13.02	\$0.00	\$57.15
	06/01/2018	\$33.95	\$10.79	\$13.29	\$0.00	\$58.03
	12/01/2018	\$34.55	\$10.79	\$13.56	\$0.00	\$58.90
	06/01/2019	\$35.06	\$10.79	\$13.83	\$0.00	\$59.68
	12/01/2019	\$35.66	\$10.79	\$14.10	\$0.00	\$60.55

For apprentice rates see "Apprentice- OPERATING ENGINEERS"

SELF-PROPELLED POWER BROOM OPERATING ENGINEERS LOCAL 98	06/01/2017	\$30.12	\$10.79	\$12.75	\$0.00	\$53.66
	12/01/2017	\$30.72	\$10.79	\$13.02	\$0.00	\$54.53
	06/01/2018	\$31.33	\$10.79	\$13.29	\$0.00	\$55.41
	12/01/2018	\$31.93	\$10.79	\$13.56	\$0.00	\$56.28
	06/01/2019	\$32.44	\$10.79	\$13.83	\$0.00	\$57.06
	12/01/2019	\$33.04	\$10.79	\$14.10	\$0.00	\$57.93

For apprentice rates see "Apprentice- OPERATING ENGINEERS"

SHEETMETAL WORKER SHEETMETAL WORKERS LOCAL 63	01/01/2017	\$32.24	\$10.64	\$15.49	\$1.75	\$60.12
--	------------	---------	---------	---------	--------	---------

Classification

Effective Date Base Wage Health Pension Supplemental Unemployment Total Rate

Apprentice - SHEET METAL WORKER - Local 63

Effective Date - 01/01/2017

Step	percent	Apprentice Base Wage	Health	Pension	Supplemental Unemployment	Total Rate
1	45	\$14.51	\$6.21	\$4.36	\$0.00	\$25.08
2	50	\$16.12	\$6.55	\$4.85	\$0.00	\$27.52
3	55	\$17.73	\$6.88	\$8.72	\$0.98	\$34.31
4	60	\$19.34	\$7.22	\$8.72	\$1.06	\$36.34
5	65	\$20.96	\$7.55	\$8.72	\$1.12	\$38.35
6	70	\$22.57	\$7.88	\$8.72	\$1.18	\$40.35
7	75	\$24.18	\$8.22	\$8.72	\$1.23	\$42.35
8	80	\$25.79	\$9.30	\$14.52	\$1.43	\$51.04
9	85	\$27.40	\$9.64	\$14.52	\$1.49	\$53.05
10	90	\$29.02	\$9.98	\$14.52	\$1.55	\$55.07

Notes:

Apprentice to Journeyworker Ratio:1:3

SIGN ERECTOR PAINTERS LOCAL 35 - ZONE 3	06/01/2013	\$25.81	\$7.07	\$7.05	\$0.00	\$39.93
--	------------	---------	--------	--------	--------	---------

Apprentice - SIGN ERECTOR - Local 35 Zone 3

Effective Date - 06/01/2013

Step	percent	Apprentice Base Wage	Health	Pension	Supplemental Unemployment	Total Rate
1	50	\$12.91	\$7.07	\$0.00	\$0.00	\$19.98
2	55	\$14.20	\$7.07	\$2.45	\$0.00	\$23.72
3	60	\$15.49	\$7.07	\$2.45	\$0.00	\$25.01
4	65	\$16.78	\$7.07	\$2.45	\$0.00	\$26.30
5	70	\$18.07	\$7.07	\$7.05	\$0.00	\$32.19
6	75	\$19.36	\$7.07	\$7.05	\$0.00	\$33.48
7	80	\$20.65	\$7.07	\$7.05	\$0.00	\$34.77
8	85	\$21.94	\$7.07	\$7.05	\$0.00	\$36.06
9	90	\$23.23	\$7.07	\$7.05	\$0.00	\$37.35

Notes:
Steps are 4 mos.

Apprentice to Journeyworker Ratio:1:1

SPECIALIZED EARTH MOVING EQUIP < 35 TONS TEAMSTERS JOINT COUNCIL NO. 10 ZONE B	12/01/2016	\$32.44	\$10.91	\$10.89	\$0.00	\$54.24
---	------------	---------	---------	---------	--------	---------

SPECIALIZED EARTH MOVING EQUIP > 35 TONS TEAMSTERS JOINT COUNCIL NO. 10 ZONE B	12/01/2016	\$32.73	\$10.91	\$10.89	\$0.00	\$54.53
---	------------	---------	---------	---------	--------	---------

Classification	Effective Date	Base Wage	Health	Pension	Supplemental Unemployment	Total Rate
SPRINKLER FITTER <i>SPRINKLER FITTERS LOCAL 669</i>	04/01/2017	\$40.26	\$9.17	\$12.43	\$0.00	\$61.86
	01/01/2018	\$40.26	\$9.67	\$12.63	\$0.00	\$62.56
	04/01/2018	\$41.51	\$9.67	\$12.88	\$0.00	\$64.06
	01/01/2019	\$41.51	\$10.02	\$13.08	\$0.00	\$64.61

Apprentice - SPRINKLER FITTER - Local 669

Effective Date - 04/01/2017

Step	percent	Apprentice Base Wage	Health	Pension	Supplemental Unemployment	Total Rate
1	45	\$18.12	\$7.60	\$0.00	\$0.00	\$25.72
2	50	\$20.13	\$7.60	\$0.00	\$0.00	\$27.73
3	55	\$22.14	\$9.17	\$6.60	\$0.00	\$37.91
4	60	\$24.16	\$9.17	\$6.60	\$0.00	\$39.93
5	65	\$26.17	\$9.17	\$6.85	\$0.00	\$42.19
6	70	\$28.18	\$9.17	\$6.85	\$0.00	\$44.20
7	75	\$30.20	\$9.17	\$6.85	\$0.00	\$46.22
8	80	\$32.21	\$9.17	\$6.85	\$0.00	\$48.23
9	85	\$34.22	\$9.17	\$6.85	\$0.00	\$50.24
10	90	\$36.23	\$9.17	\$6.85	\$0.00	\$52.25

Effective Date - 01/01/2018

Step	percent	Apprentice Base Wage	Health	Pension	Supplemental Unemployment	Total Rate
1	45	\$18.12	\$7.75	\$0.00	\$0.00	\$25.87
2	50	\$20.13	\$7.75	\$0.00	\$0.00	\$27.88
3	55	\$22.14	\$9.67	\$6.80	\$0.00	\$38.61
4	60	\$24.16	\$9.67	\$6.80	\$0.00	\$40.63
5	65	\$26.17	\$9.67	\$7.05	\$0.00	\$42.89
6	70	\$28.18	\$9.67	\$7.05	\$0.00	\$44.90
7	75	\$30.20	\$9.67	\$7.05	\$0.00	\$46.92
8	80	\$32.21	\$9.67	\$7.05	\$0.00	\$48.93
9	85	\$34.22	\$9.67	\$7.05	\$0.00	\$50.94
10	90	\$36.23	\$9.67	\$7.05	\$0.00	\$52.95

Notes:

Apprentice to Journeyworker Ratio:1:1

TELECOMMUNICATION TECHNICIAN <i>ELECTRICIANS LOCAL 7</i>	01/01/2017	\$39.51	\$9.35	\$10.84	\$0.00	\$59.70
---	------------	---------	--------	---------	--------	---------

Apprentice - TELECOMMUNICATION TECHNICIAN - Local 7

Effective Date - 01/01/2017

Step	percent	Apprentice Base Wage	Health	Pension	Supplemental Unemployment	Total Rate
1	40	\$15.80	\$5.00	\$0.47	\$0.00	\$21.27
2	45	\$17.78	\$5.00	\$0.53	\$0.00	\$23.31
3	50	\$19.76	\$9.35	\$6.54	\$0.00	\$35.65
4	55	\$21.73	\$9.35	\$6.60	\$0.00	\$37.68
5	65	\$25.68	\$9.35	\$7.72	\$0.00	\$42.75
6	70	\$27.66	\$9.35	\$8.78	\$0.00	\$45.79

Notes:
Steps are 800 hours

Apprentice to Journeyworker Ratio:1:1

TERRAZZO FINISHERS <i>BRICKLAYERS LOCAL 3 (SPR/PITT) - MARBLE & TILE</i>	02/27/2017	\$32.67	\$10.75	\$17.05	\$0.00	\$60.47
---	------------	---------	---------	---------	--------	---------

Apprentice - MARBLE-TILE-TERRAZZO FINISHER-Local 3 Marble/Tile (Spr/Pitt)

Effective Date - 02/27/2017

Step	percent	Apprentice Base Wage	Health	Pension	Supplemental Unemployment	Total Rate
1	50	\$16.34	\$10.75	\$17.05	\$0.00	\$44.14
2	60	\$19.60	\$10.75	\$17.05	\$0.00	\$47.40
3	70	\$22.87	\$10.75	\$17.05	\$0.00	\$50.67
4	80	\$26.14	\$10.75	\$17.05	\$0.00	\$53.94
5	90	\$29.40	\$10.75	\$17.05	\$0.00	\$57.20

Notes:

Apprentice to Journeyworker Ratio:1:5

TEST BORING DRILLER <i>LABORERS - FOUNDATION AND MARINE</i>	12/01/2016	\$37.70	\$7.60	\$14.35	\$0.00	\$59.65
--	------------	---------	--------	---------	--------	---------

For apprentice rates see "Apprentice- LABORER"

TEST BORING DRILLER HELPER <i>LABORERS - FOUNDATION AND MARINE</i>	12/01/2016	\$36.42	\$7.60	\$14.35	\$0.00	\$58.37
---	------------	---------	--------	---------	--------	---------

For apprentice rates see "Apprentice- LABORER"

TEST BORING LABORER <i>LABORERS - FOUNDATION AND MARINE</i>	12/01/2016	\$36.30	\$7.60	\$14.35	\$0.00	\$58.25
--	------------	---------	--------	---------	--------	---------

For apprentice rates see "Apprentice- LABORER"

TRACTORS <i>OPERATING ENGINEERS LOCAL 98</i>	06/01/2017	\$32.74	\$10.79	\$12.75	\$0.00	\$56.28
	12/01/2017	\$33.34	\$10.79	\$13.02	\$0.00	\$57.15
	06/01/2018	\$33.95	\$10.79	\$13.29	\$0.00	\$58.03
	12/01/2018	\$34.55	\$10.79	\$13.56	\$0.00	\$58.90
	06/01/2019	\$35.06	\$10.79	\$13.83	\$0.00	\$59.68
	12/01/2019	\$35.66	\$10.79	\$14.10	\$0.00	\$60.55

For apprentice rates see "Apprentice- OPERATING ENGINEERS"

Classification	Effective Date	Base Wage	Health	Pension	Supplemental Unemployment	Total Rate
TRAILERS FOR EARTH MOVING EQUIPMENT <i>TEAMSTERS JOINT COUNCIL NO. 10 ZONE B</i>	12/01/2016	\$33.02	\$10.91	\$10.89	\$0.00	\$54.82
TUNNEL WORK - COMPRESSED AIR <i>LABORERS (COMPRESSED AIR)</i>	12/01/2016	\$48.58	\$7.60	\$14.75	\$0.00	\$70.93
For apprentice rates see "Apprentice- LABORER"						
TUNNEL WORK - COMPRESSED AIR (HAZ. WASTE) <i>LABORERS (COMPRESSED AIR)</i>	12/01/2016	\$50.58	\$7.60	\$14.75	\$0.00	\$72.93
For apprentice rates see "Apprentice- LABORER"						
TUNNEL WORK - FREE AIR <i>LABORERS (FREE AIR TUNNEL)</i>	12/01/2016	\$40.65	\$7.60	\$14.75	\$0.00	\$63.00
For apprentice rates see "Apprentice- LABORER"						
TUNNEL WORK - FREE AIR (HAZ. WASTE) <i>LABORERS (FREE AIR TUNNEL)</i>	12/01/2016	\$42.65	\$7.60	\$14.75	\$0.00	\$65.00
For apprentice rates see "Apprentice- LABORER"						
VAC-HAUL <i>TEAMSTERS JOINT COUNCIL NO. 10 ZONE B</i>	12/01/2016	\$32.44	\$10.91	\$10.89	\$0.00	\$54.24
WAGON DRILL OPERATOR <i>LABORERS - ZONE 3 (BUILDING & SITE)</i>	12/05/2016	\$29.83	\$7.60	\$12.50	\$0.00	\$49.93
For apprentice rates see "Apprentice- LABORER"						
WAGON DRILL OPERATOR (HEAVY & HIGHWAY) <i>LABORERS - ZONE 3 (HEAVY & HIGHWAY)</i>	12/01/2016	\$29.75	\$7.60	\$10.62	\$0.00	\$47.97
For apprentice rates see "Apprentice- LABORER (Heavy and Highway)"						
WATER METER INSTALLER <i>PLUMBERS & PIPEFITTERS LOCAL 104</i>	03/17/2017	\$39.26	\$8.50	\$15.30	\$0.00	\$63.06
	09/17/2017	\$40.01	\$8.50	\$15.30	\$0.00	\$63.81
	03/17/2018	\$40.76	\$8.50	\$15.30	\$0.00	\$64.56
	09/17/2018	\$41.51	\$8.50	\$15.30	\$0.00	\$65.31
	03/17/2019	\$42.26	\$8.50	\$15.30	\$0.00	\$66.06
For apprentice rates see "Apprentice- PLUMBER/PIPEFITTER" or "PLUMBER/GASFITTER"						

Additional Apprentice Information:

Minimum wage rates for apprentices employed on public works projects are listed above as a percentage of the pre-determined hourly wage rate established by the Commissioner under the provisions of the M.G.L. c. 149, ss. 26-27D. Apprentice ratios are established by the Division of Apprenticeship Training pursuant to M.G.L. c. 23, ss. 11E-11L.

All apprentices must be registered with the Division of Apprenticeship Training in accordance with M.G.L. c. 23, ss. 11E-11L.

All steps are six months (1000 hours.)

Ratios are expressed in allowable number of apprentices to journeymen or fraction thereof, unless otherwise specified.

** Multiple ratios are listed in the comment field.

*** APP to JM; 1:1, 2:2, 2:3, 3:4, 4:4, 4:5, 4:6, 5:7, 6:7, 6:8, 6:9, 7:10, 8:10, 8:11, 8:12, 9:13, 10:13, 10:14, etc.

**** APP to JM; 1:1, 1:2, 2:3, 2:4, 3:5, 4:6, 4:7, 5:8, 6:9, 6:10, 7:11, 8:12, 8:13, 9:14, 10:15, 10:16, etc.

APPENDIX B
PAVING LIST

TOWN OF GREENFIELD

2017 PAVING PROGRAM

<u>STREET</u>	<u>FROM</u>	<u>TO</u>
---------------	-------------	-----------

STREETS TO BE MILLED THEN OVERLAYED

MILLING DEPTH

COUNTRY CLUB RD.	SILVER ST.	GOLF COURSE ENTRANCE	1.5"
FAIRVIEW ST. W.	S. SHELBURNE RD.	MUNSON ST.	1.5"
FAIRVIEW ST. W.	MUNSON ST.	NEWTON ST.	2.5"

LEVELING COURSE

PETTY PLAIN RD.

1.25" OVERLAY

PETTY PLAIN RD.	DEERFIELD ST.	PEDESTRIAN BRIDGE
-----------------	---------------	-------------------

1.5" OVERLAY

COUNTRY CLUB RD.	SILVER ST.	GOLF COURSE ENTRANCE
FAIRVIEW ST. W.	S. SHELBURNE RD.	NEWTON ST.
HUNTINGTON CIR.		
PETTY PLAIN RD.	MERIDIAN ST.	GREEN RIVER PARK
SPRING TERR.		