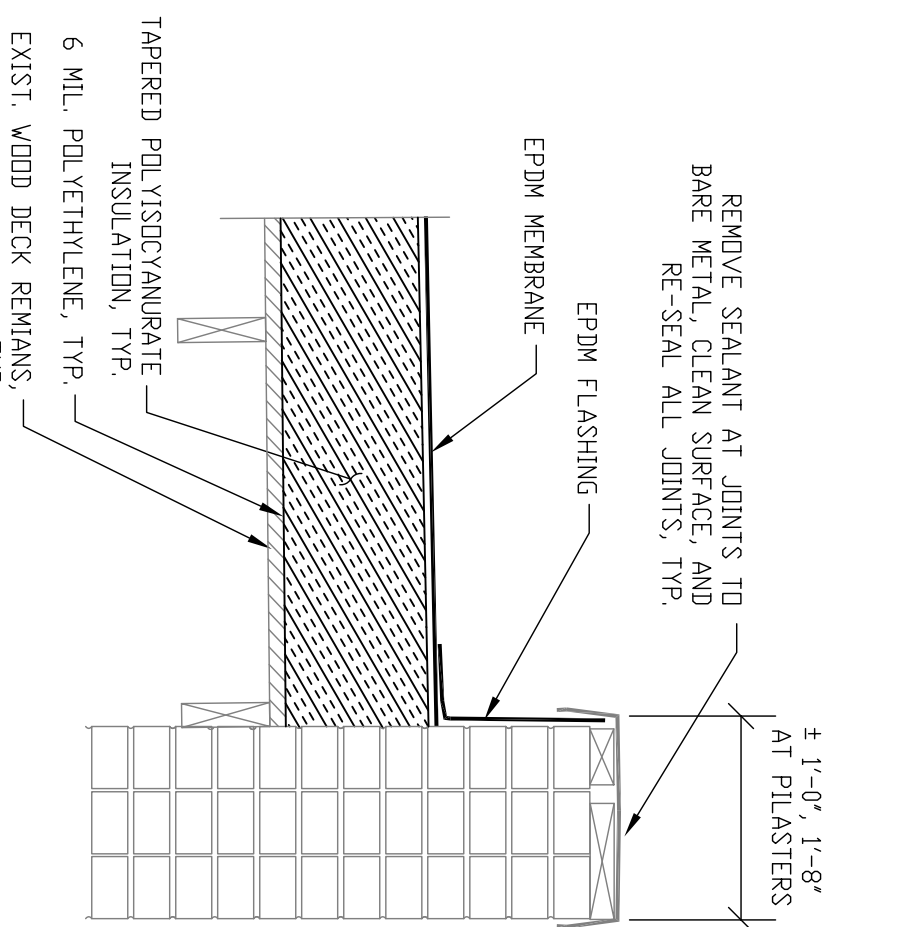
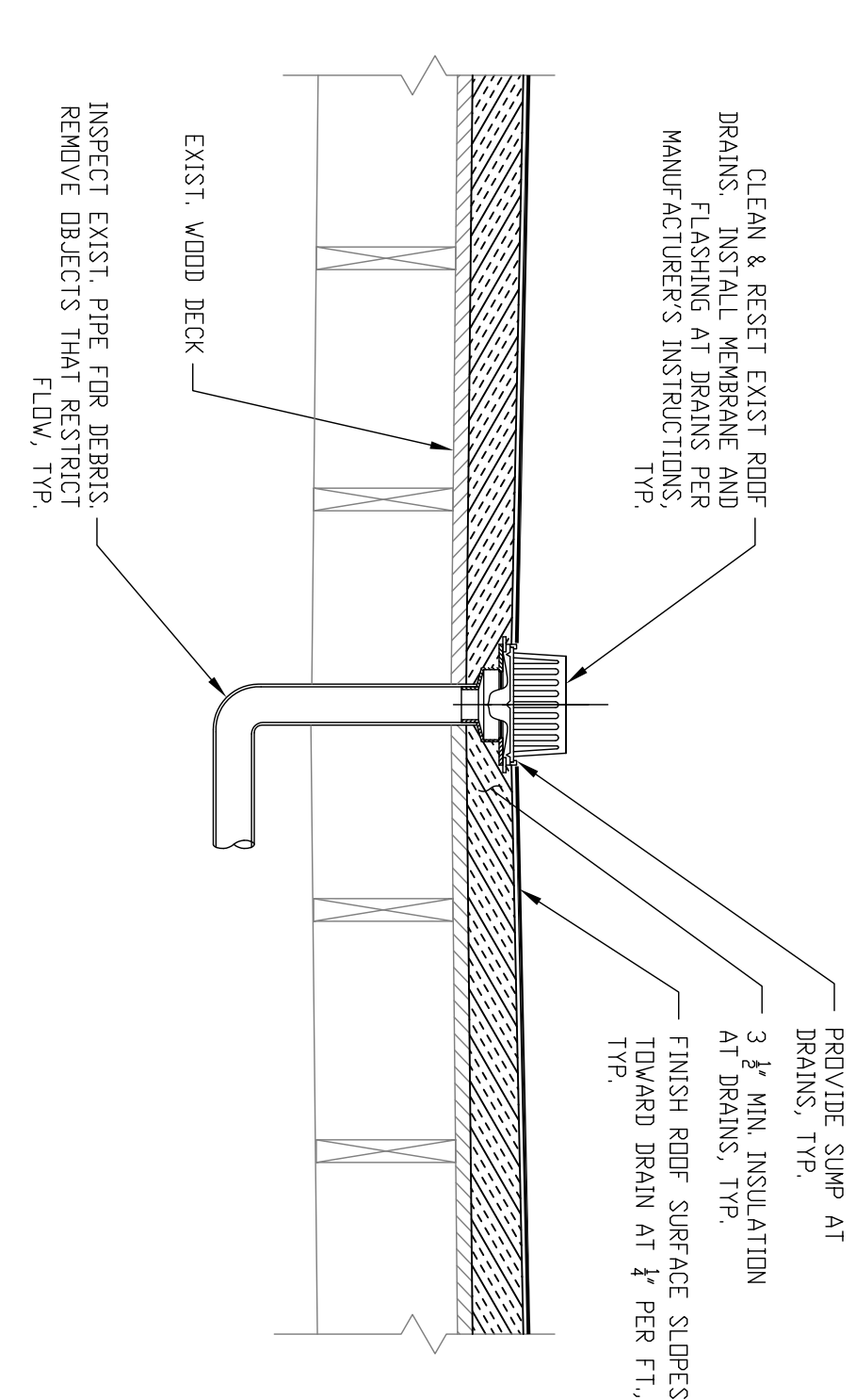


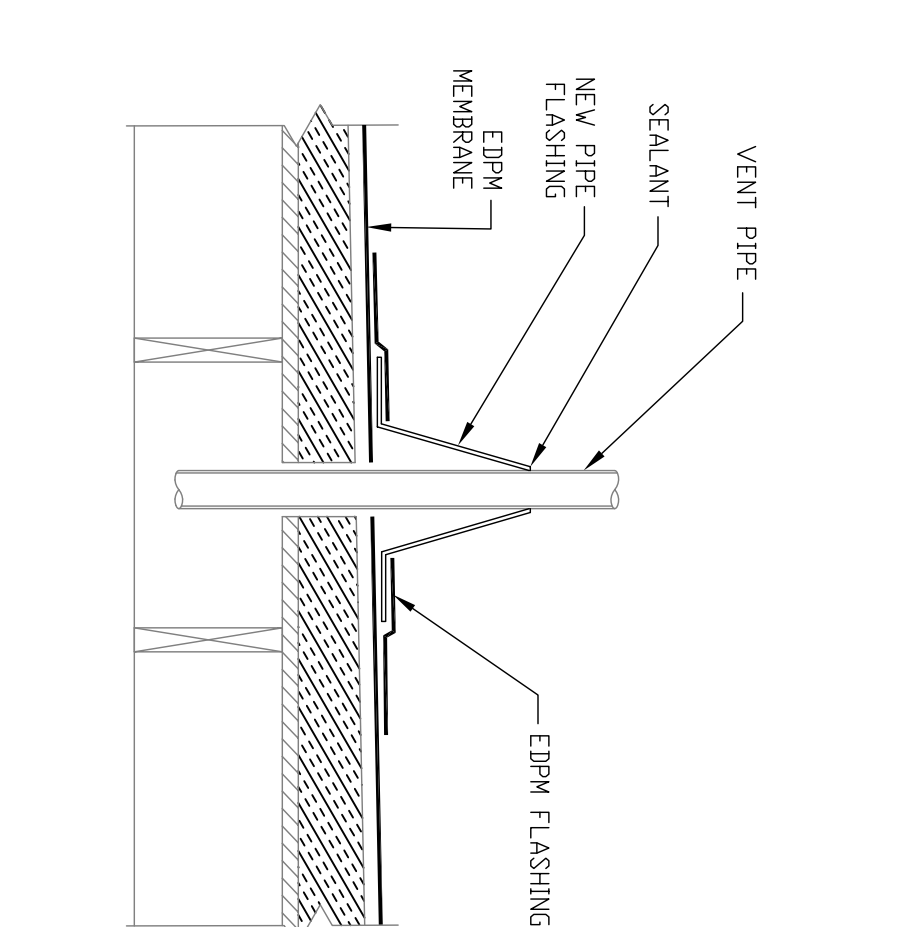
1 SECTION
RF2
1" = 1'-0"



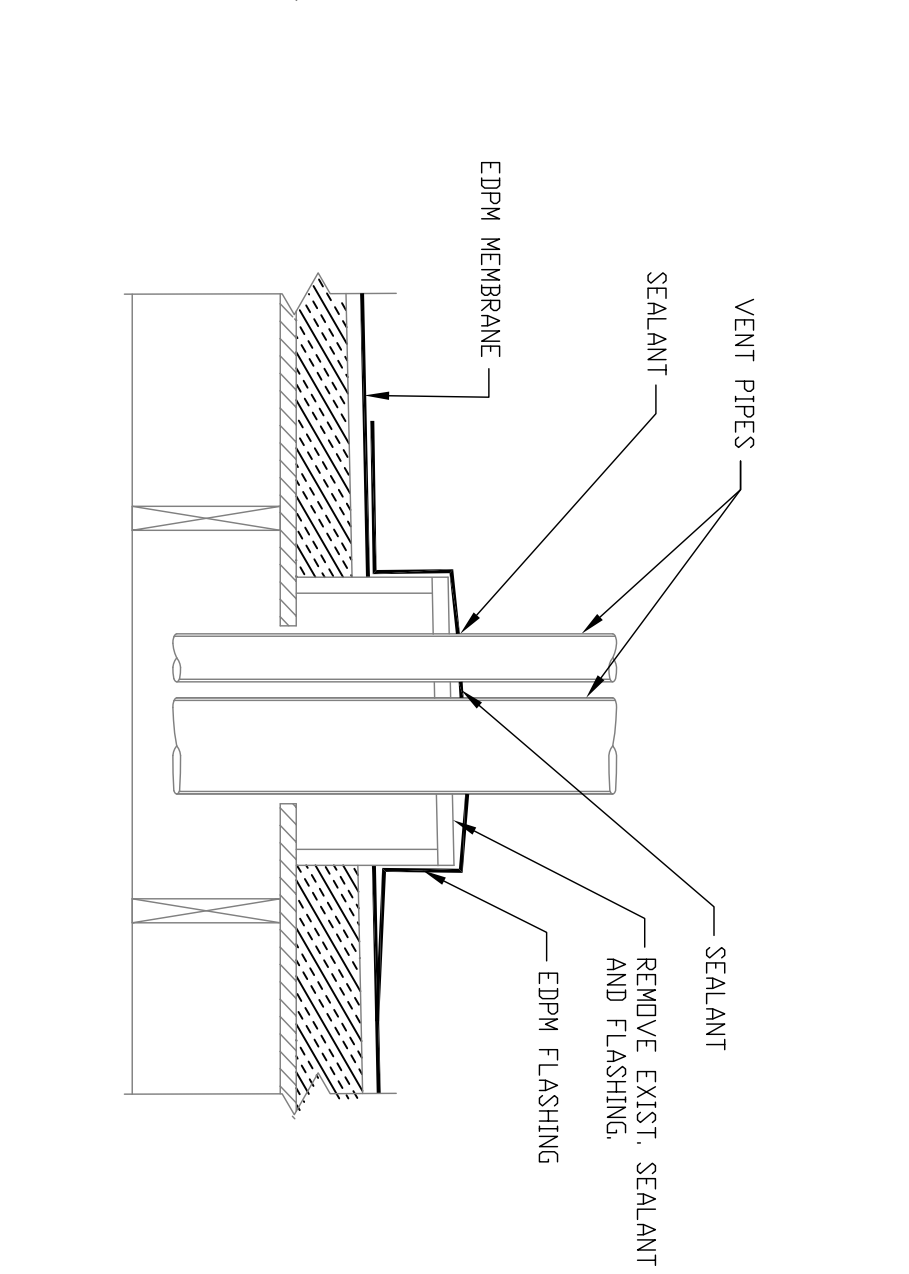
2 SECTION
RF2
1" = 1'-0"



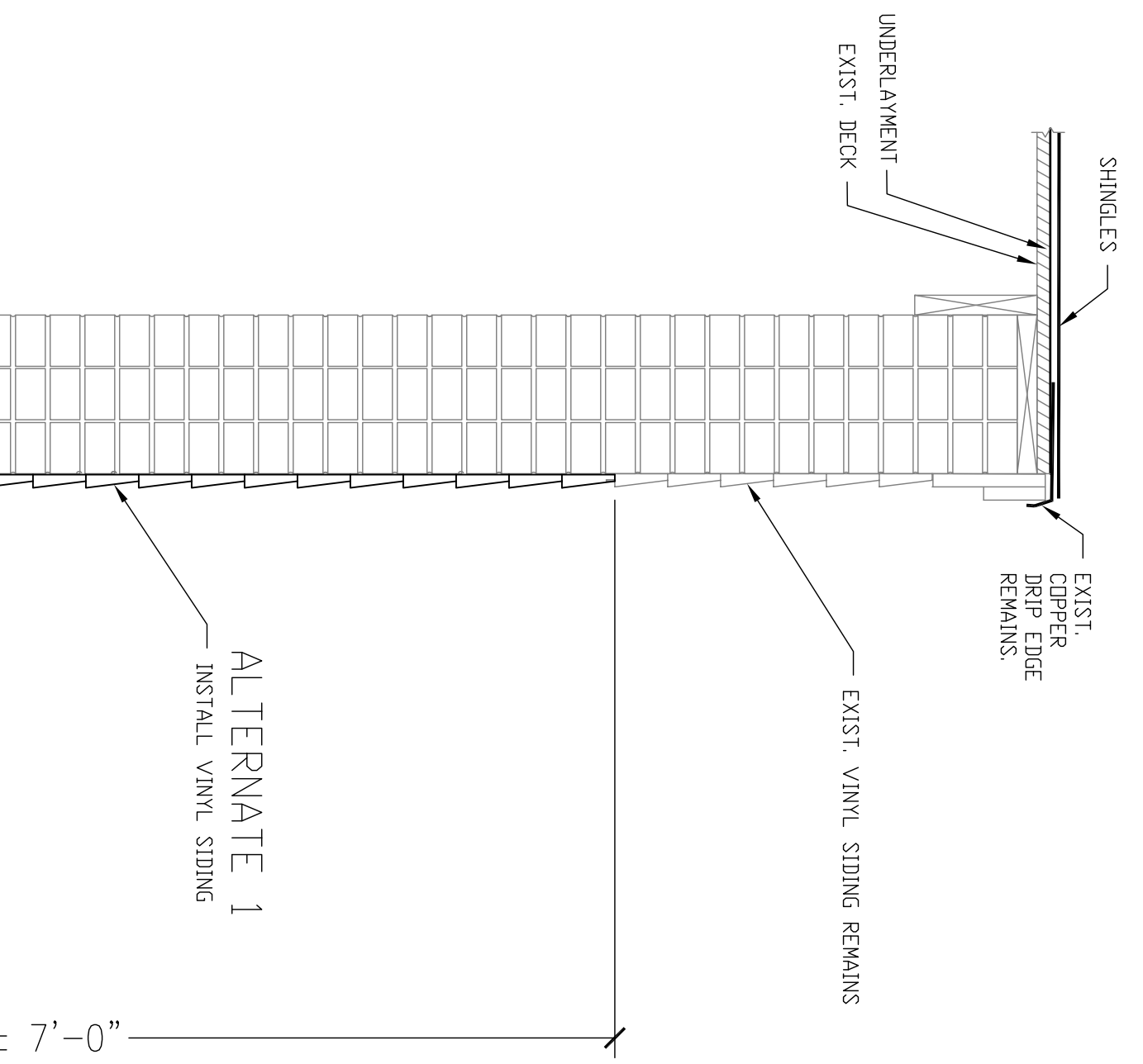
3 SECTION
RF2
1" = 1'-0"



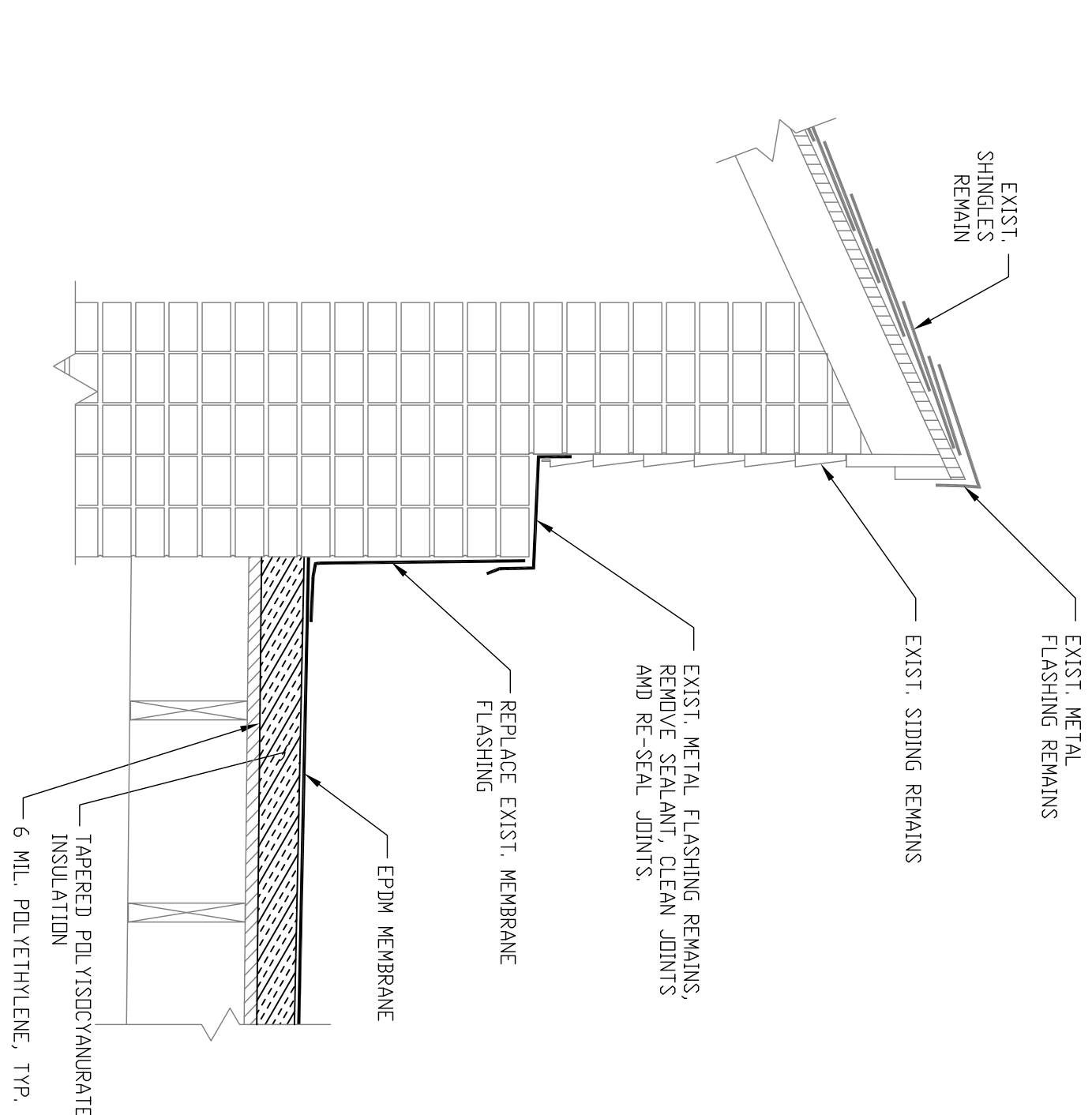
4 SECTION - VENT STACK FLASHING
RF2
1" = 1'-0"



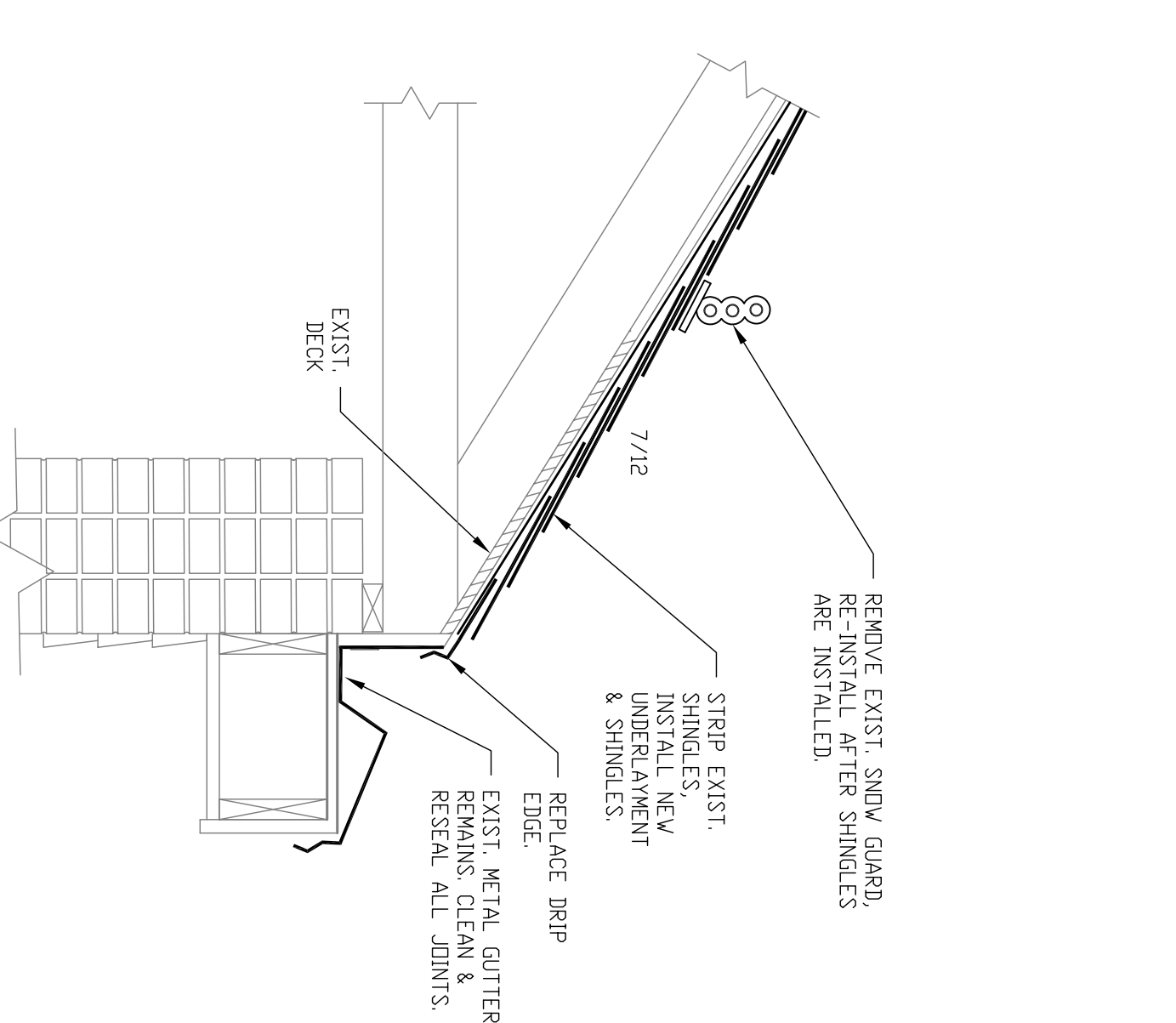
5 SECTION - VENT STACK FLASHING
RF2
1" = 1'-0"



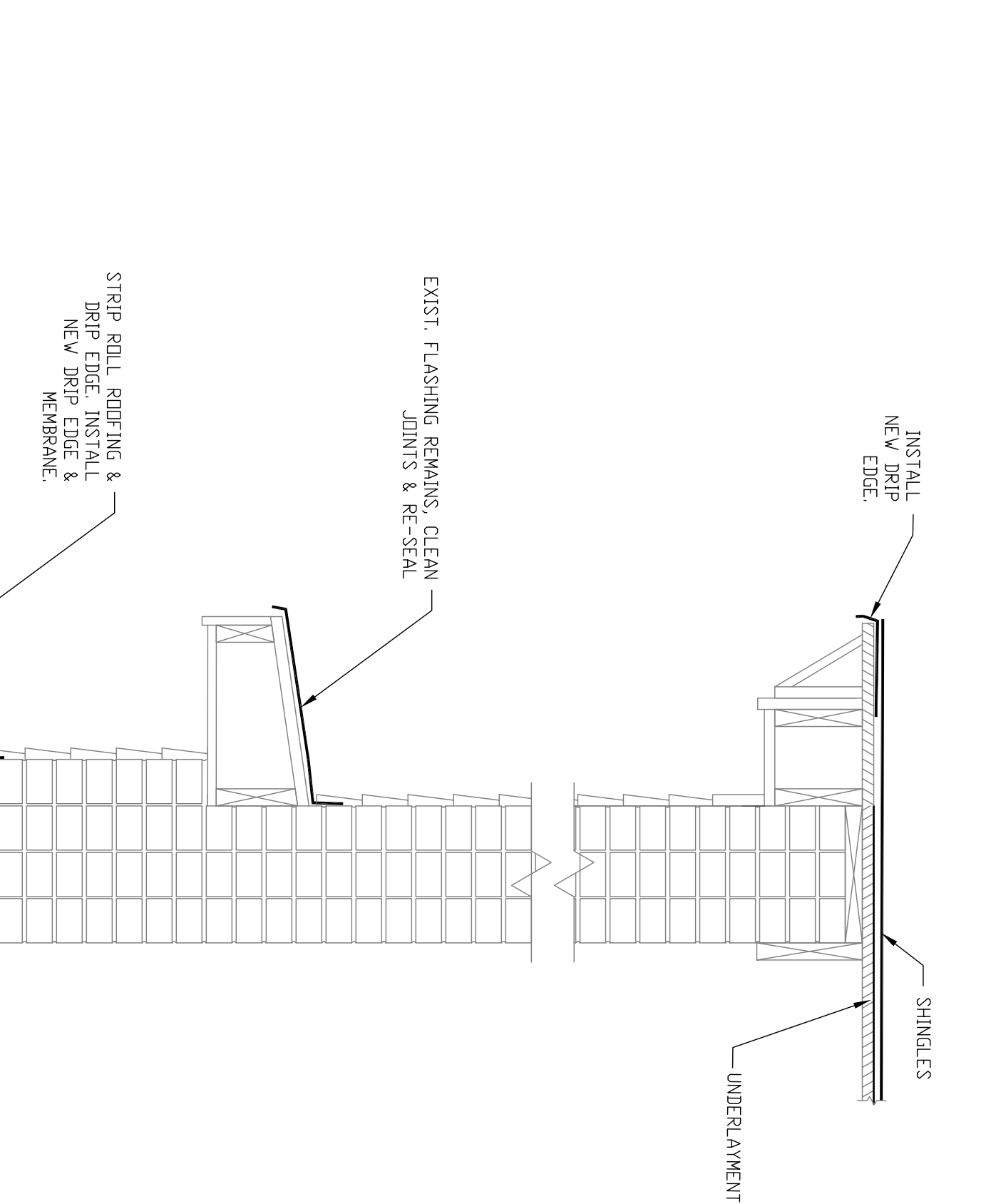
6 SECTION
RF2
1" = 1'-0"



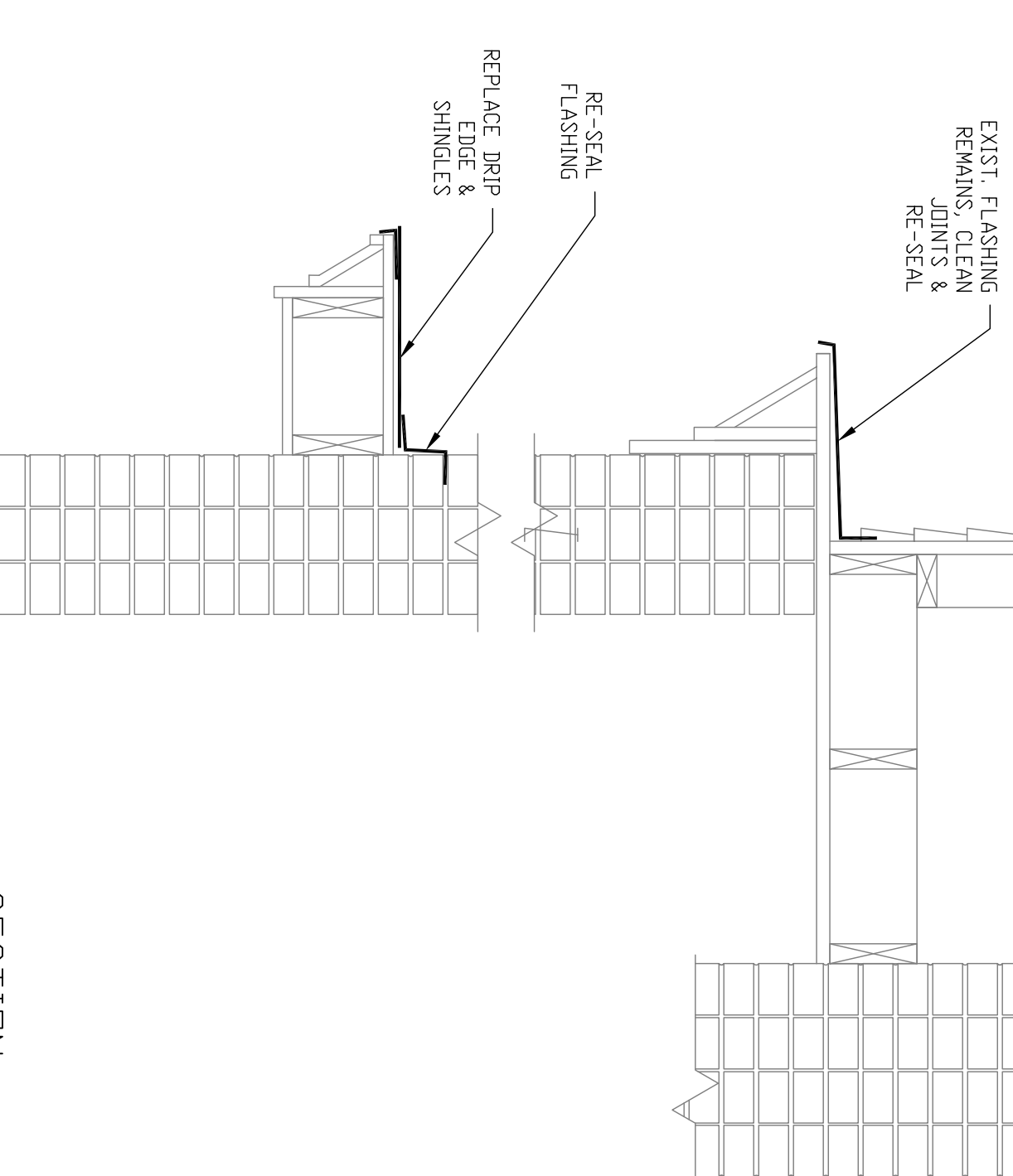
7 SECTION
RF2
1" = 1'-0"



8 SECTION
RF2
1" = 1'-0"



9 SECTION - RIDGE
RF2
1" = 1'-0"



10 SECTION
RF2
1" = 1'-0"

Structural Support & Design Services
236 S. Shilphoie Rd.
Conway, MA 01341
413-522-7771

DATE: 09-15-17
DESIGN: MR
BY: MR
RELEASE FOR BIDDING: MR

DESIGN BY: MR
PROJECT: TOWN HALL RE-ROOFING PROJECT
PROJECT GREENFIELD TOWN HALL
14 COURT SQUARE
GREENFIELD, MA

PREPARED FOR:
TOWN OF GREENFIELD
14 COURT SQUARE
GREENFIELD, MA

SECTIONS

RF2