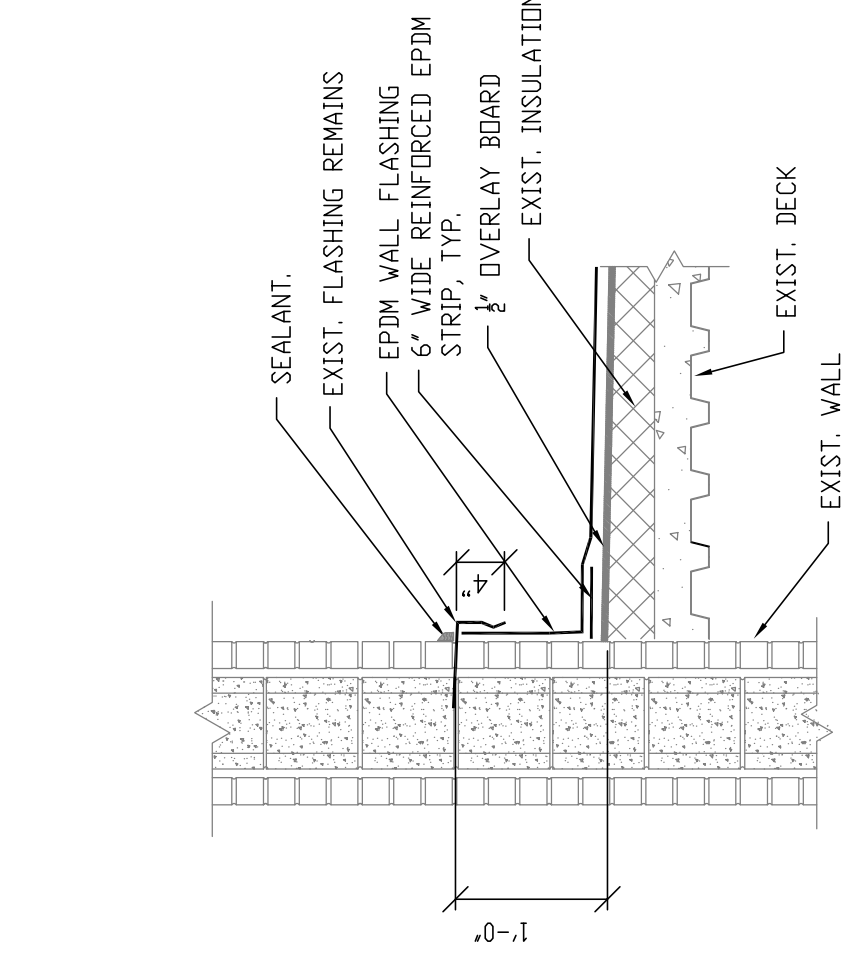
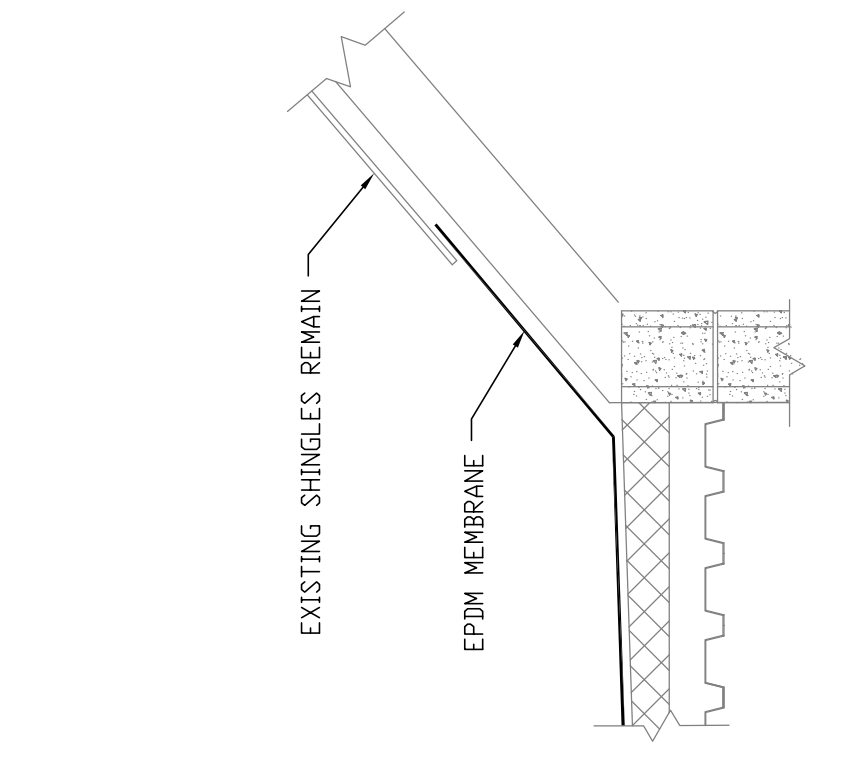


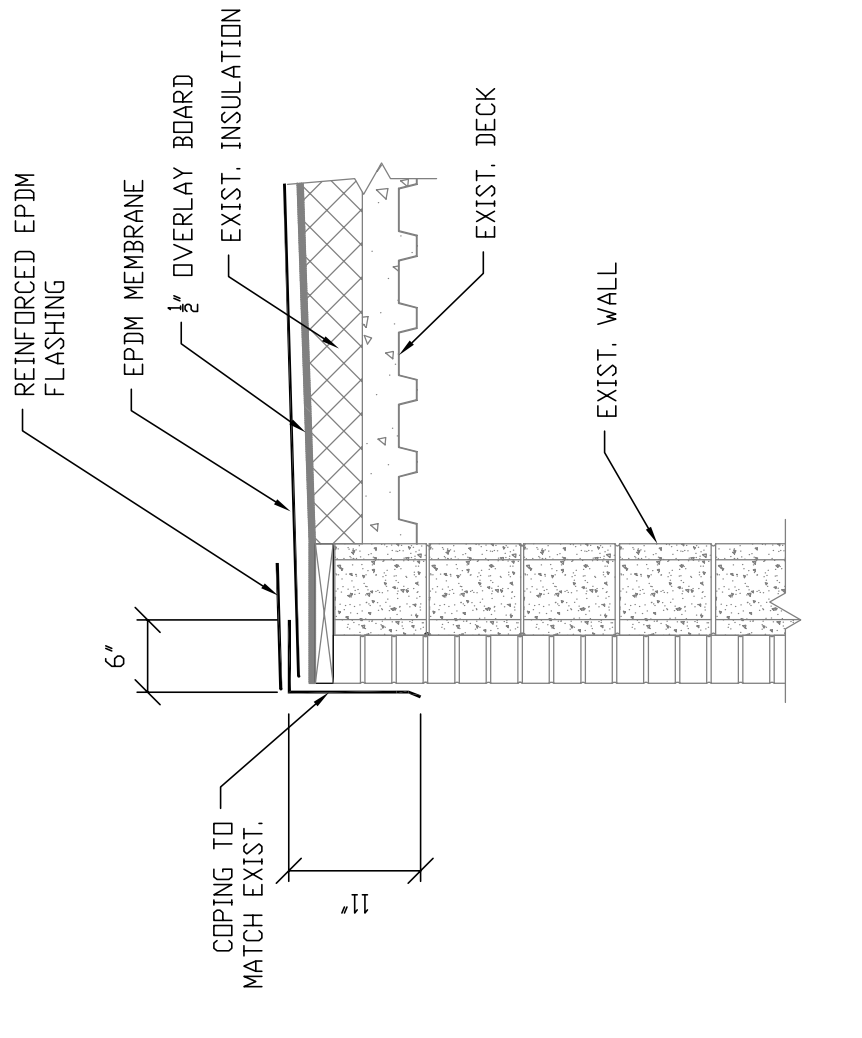
1 SECTION - PARAPEI
RF6 3/4" = 1'-0"



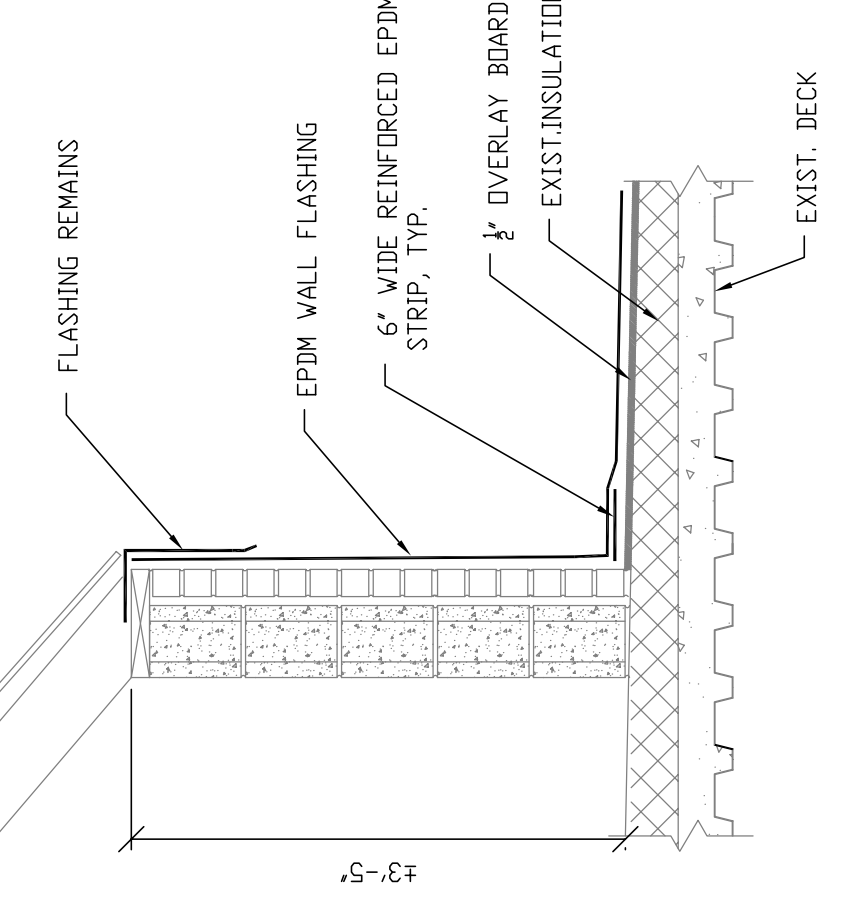
2 SECTION - BRICK WALL
RF6 3/4" = 1'-0"



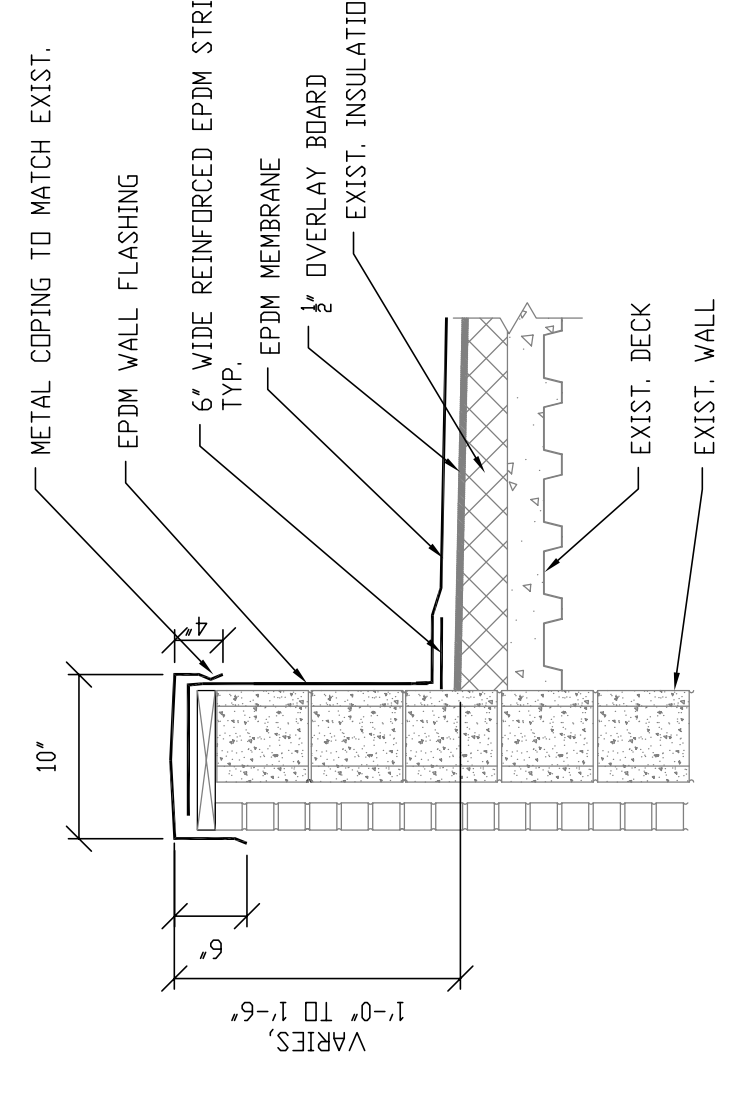
3 SECTION - ROOF TRANSITION
RF6 3/4" = 1'-0"



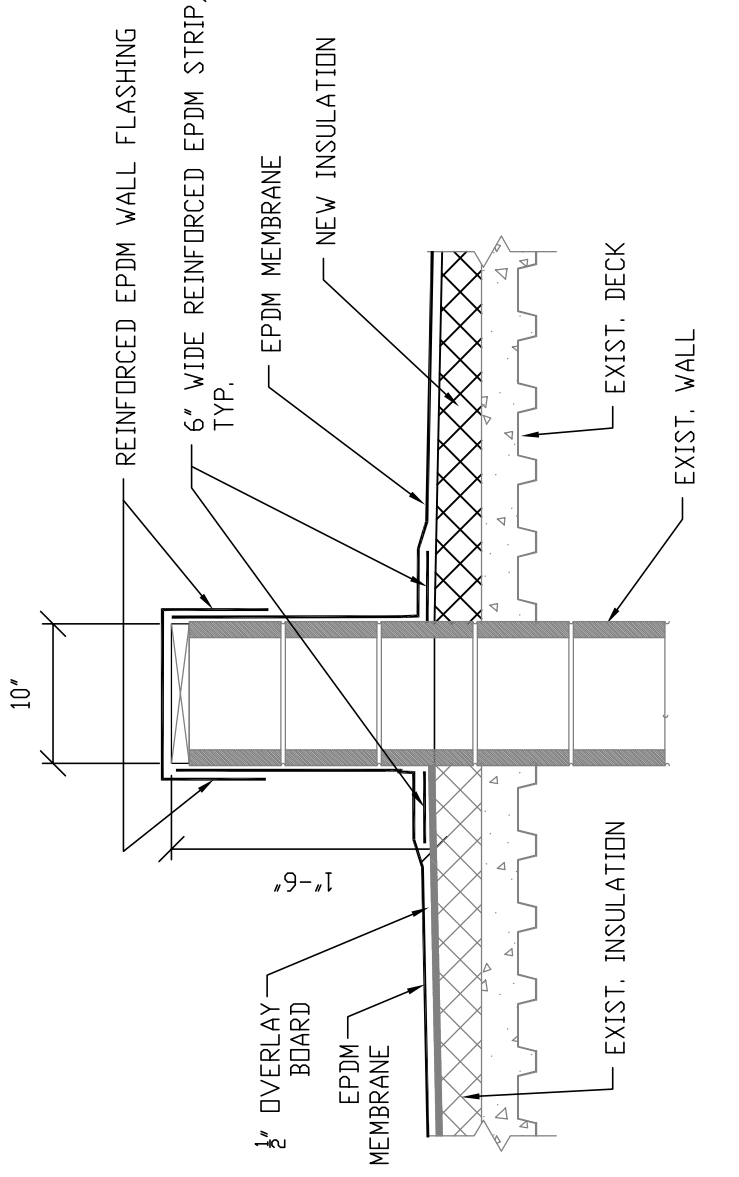
4 SECTION - PERIMETER TERMINATION
RF6 3/4" = 1'-0"



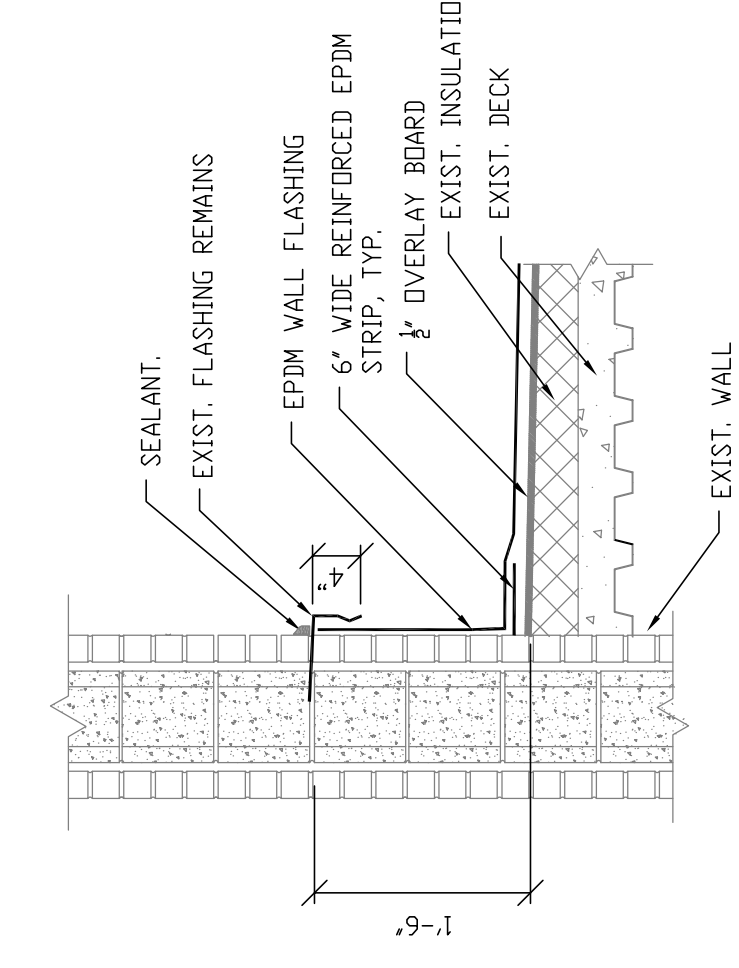
5 SECTION - PENTHOUSE WALL
RF6 3/4" = 1'-0"



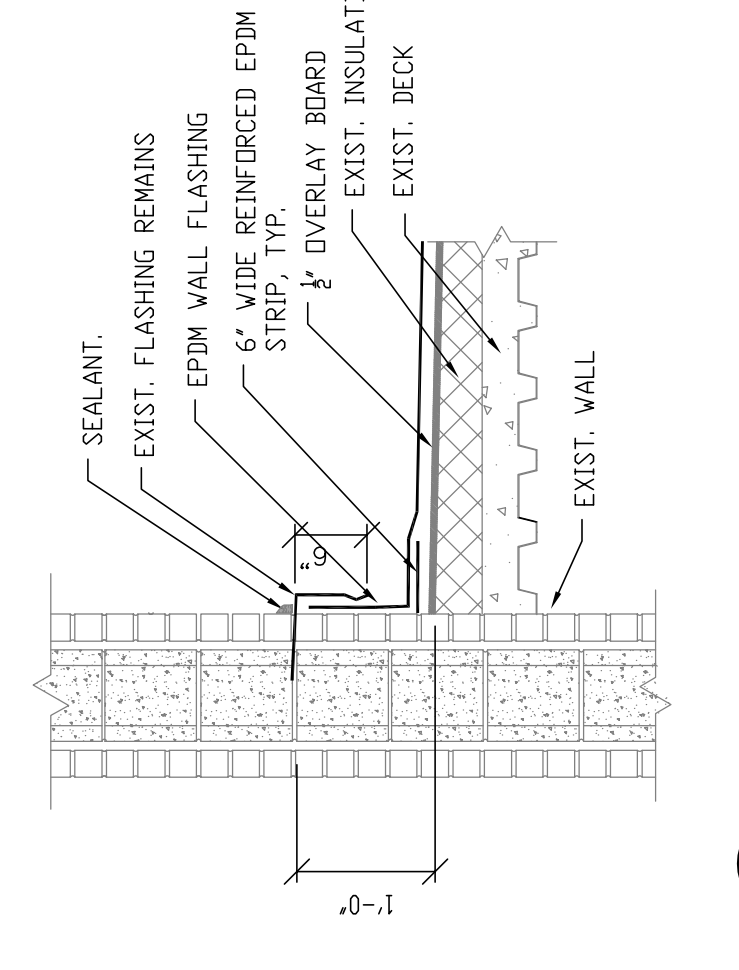
6 SECTION - PARAPEI
RF6 3/4" = 1'-0"



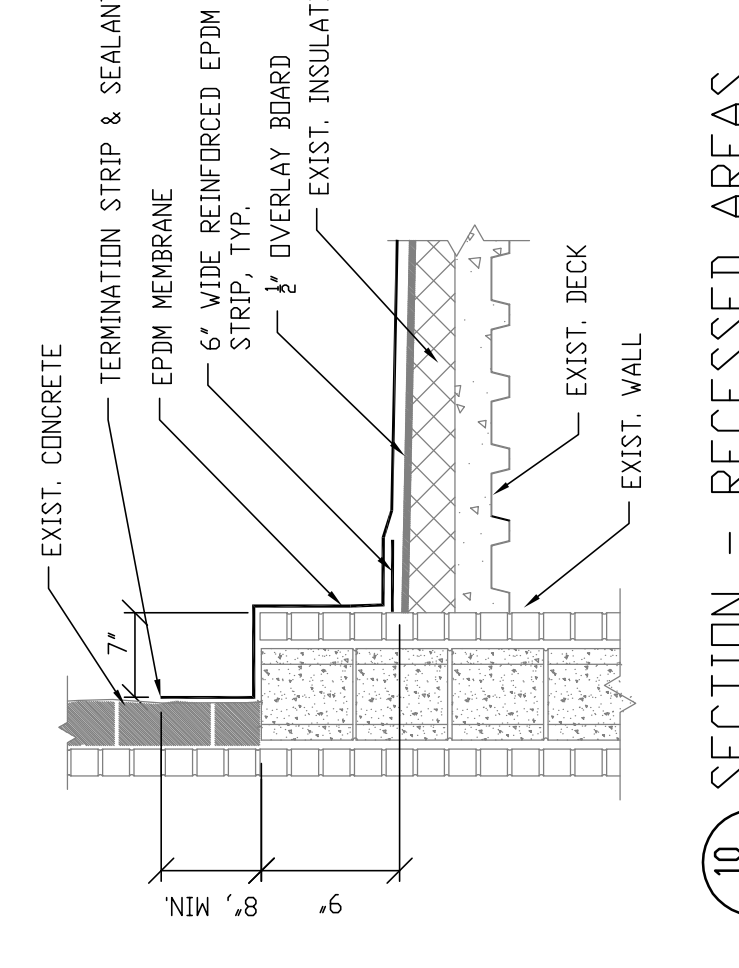
7 SECTION - LOW WALL
RF6 3/4" = 1'-0"



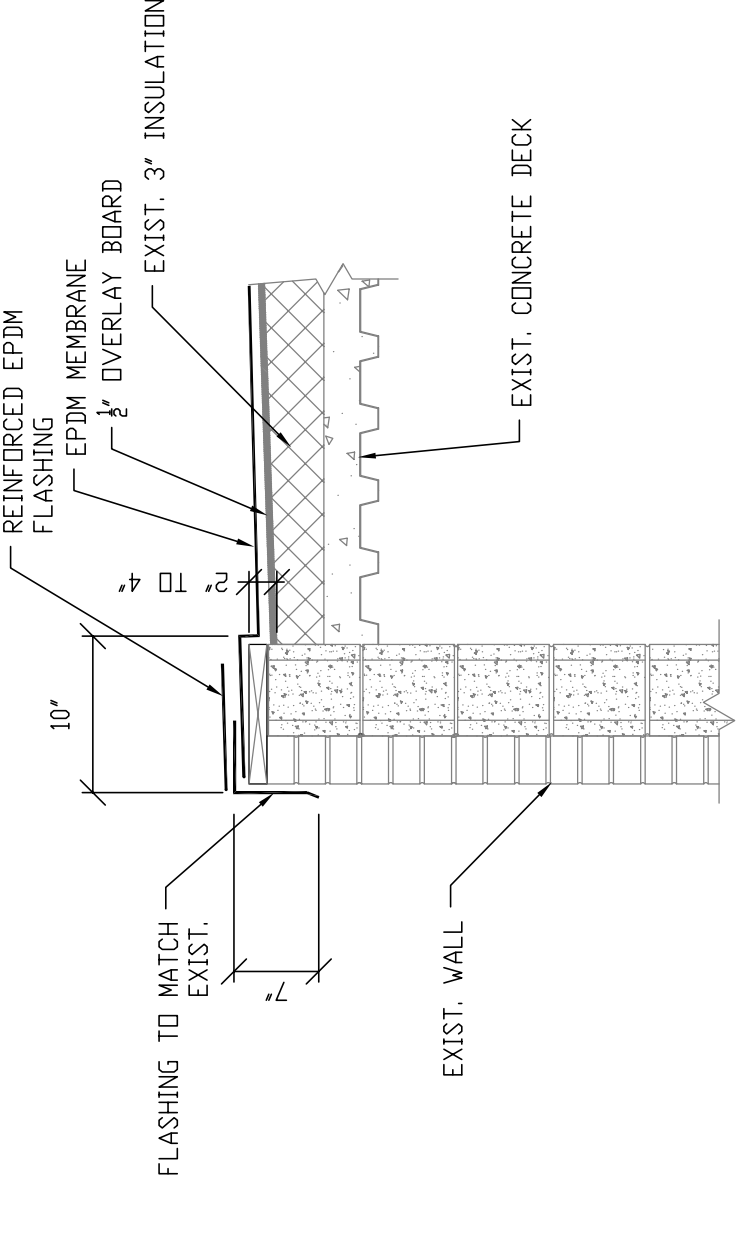
8 SECTION - BRICK WALL
RF6 3/4" = 1'-0"



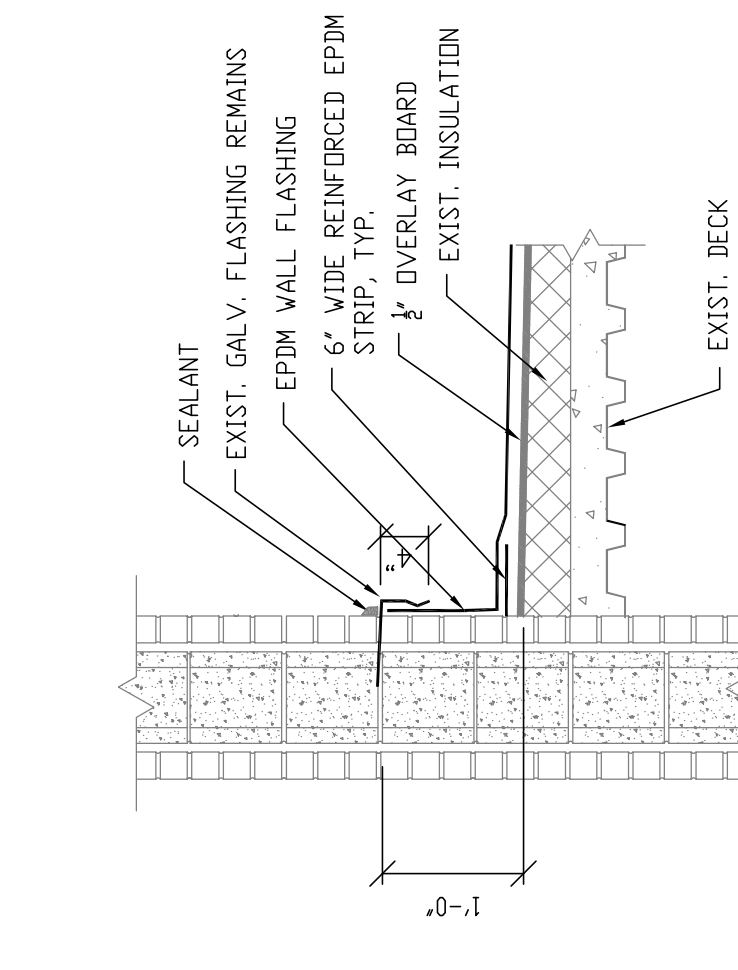
9 SECTION - BRICK WALL
RF6 3/4" = 1'-0"



10 SECTION - RECESSED AREAS
RF6 3/4" = 1'-0"



11 SECTION - PERIMETER TERMINATION
RF6 3/4" = 1'-0"



12 SECTION - BRICK WALL
RF6 3/4" = 1'-0"

11 DELETED
RF6 3/4" = 1'-0"

Structural Support & Design Services
236 S. Shikshire Rd.
Conway, MA 01341
413-522-7771

REV. DATE. DESIG. BY
0 05-11-11 RELEASE FOR BIDDING MR

DESIGN BY: MR

PROJECT: ROOF REPAIRS
GREENFIELD MIDDLE SCHOOL
195 FEDERAL STREET
GREENFIELD, MA

PREPARED FOR:
TOWN OF GREENFIELD
14 COURT SQUARE
GREENFIELD, MA

SECTIONS & DETAILS
SOUTHERN ROOFS

RF6