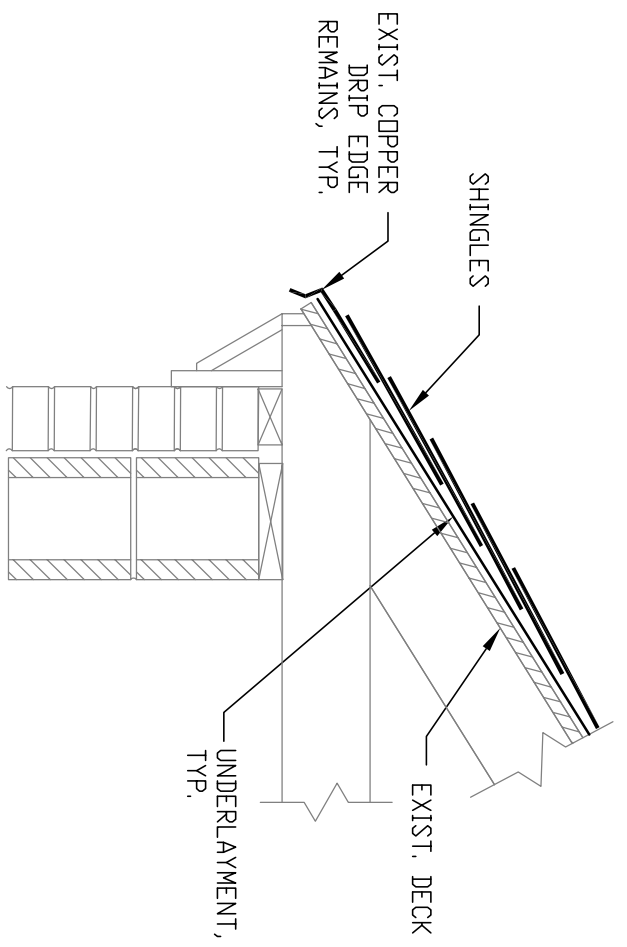
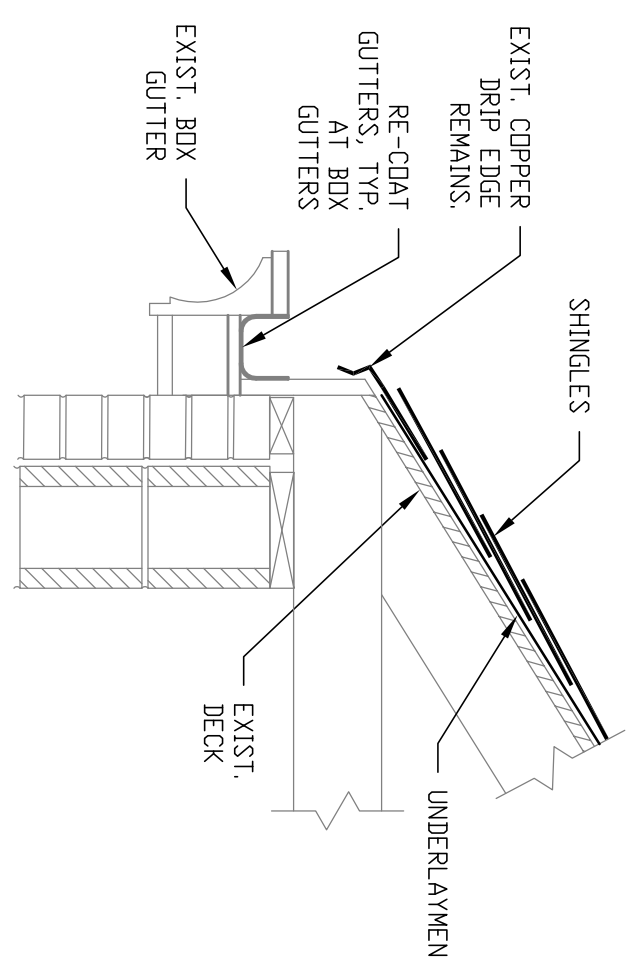


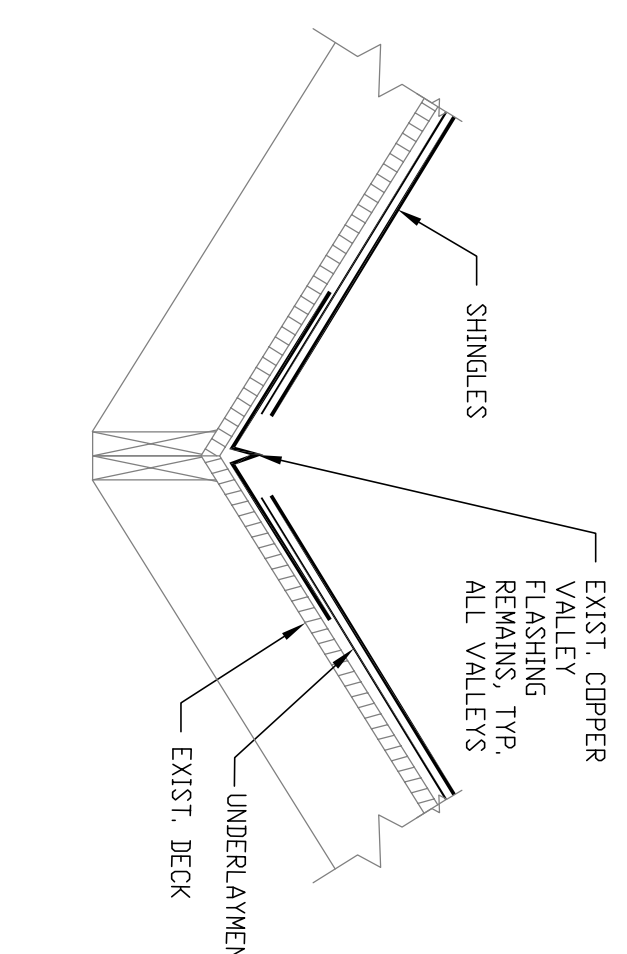
1 SECTION
RFS
1" = 1'-0"



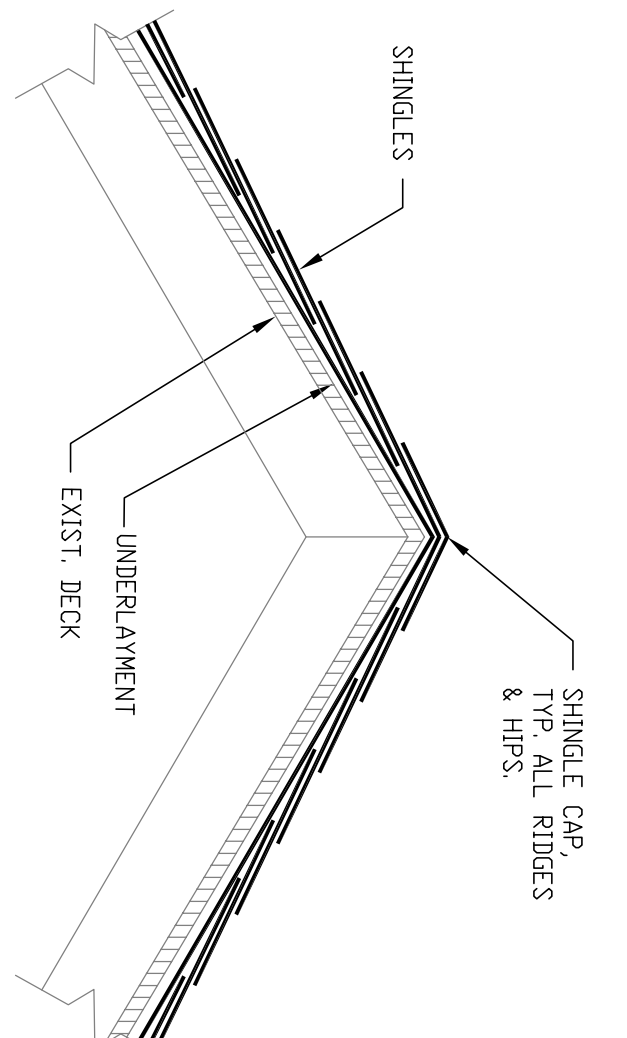
2 SECTION
RFS
1" = 1'-0"



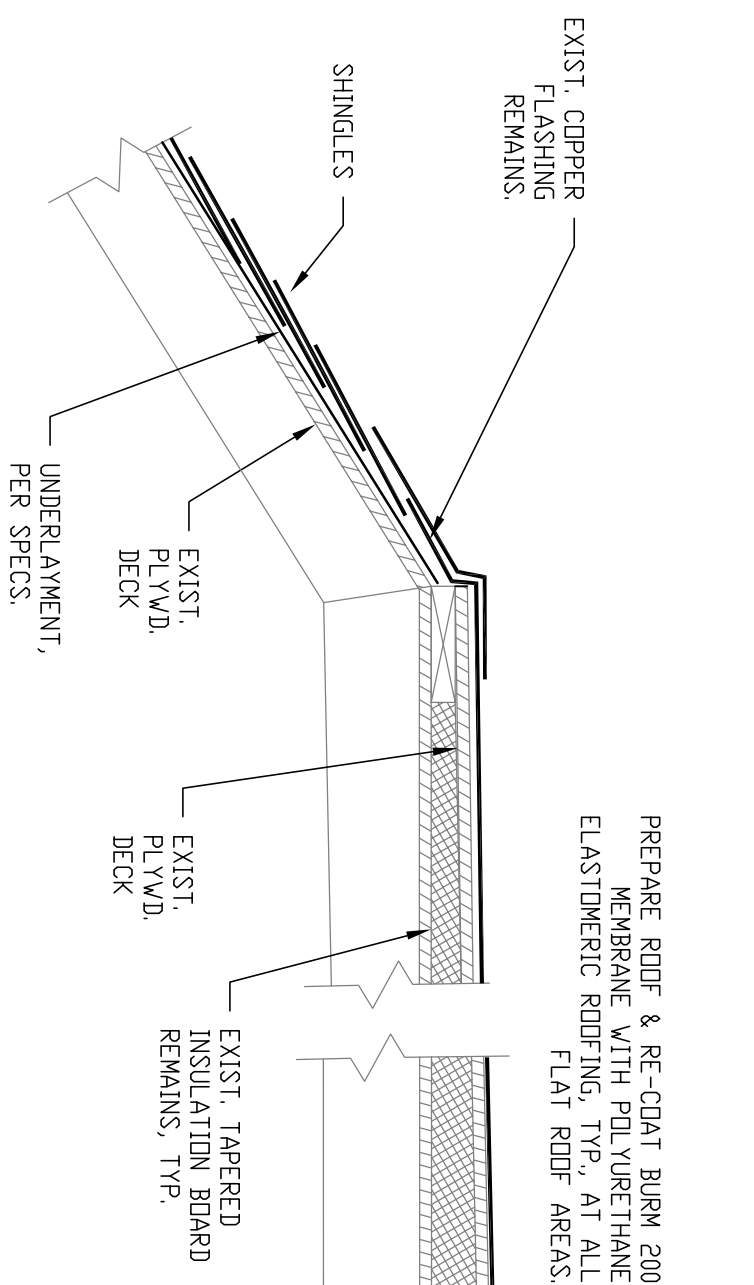
3 SECTION
RFS
1" = 1'-0"



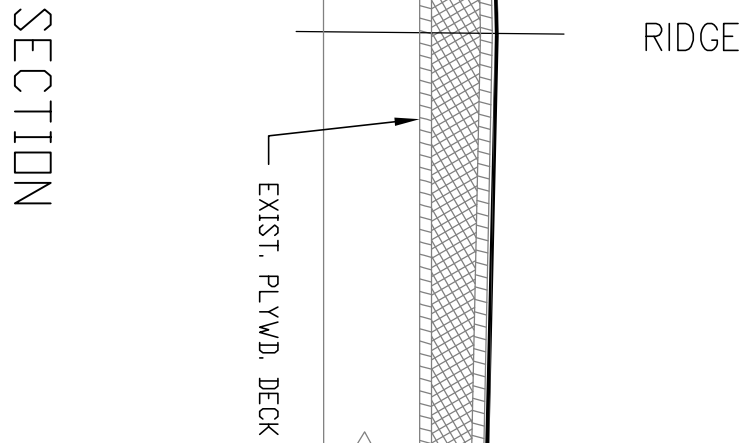
4 SECTION - OPEN VALLEY
RFS
1" = 1'-0"



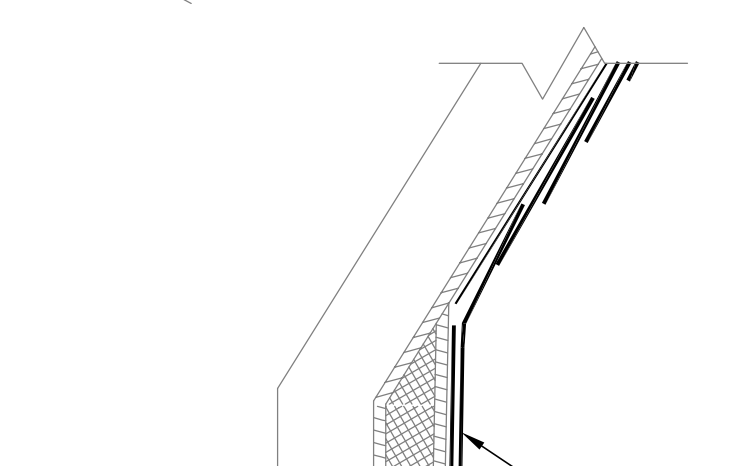
5 SECTION - HIP/ RIDGE
RFS
1" = 1'-0"



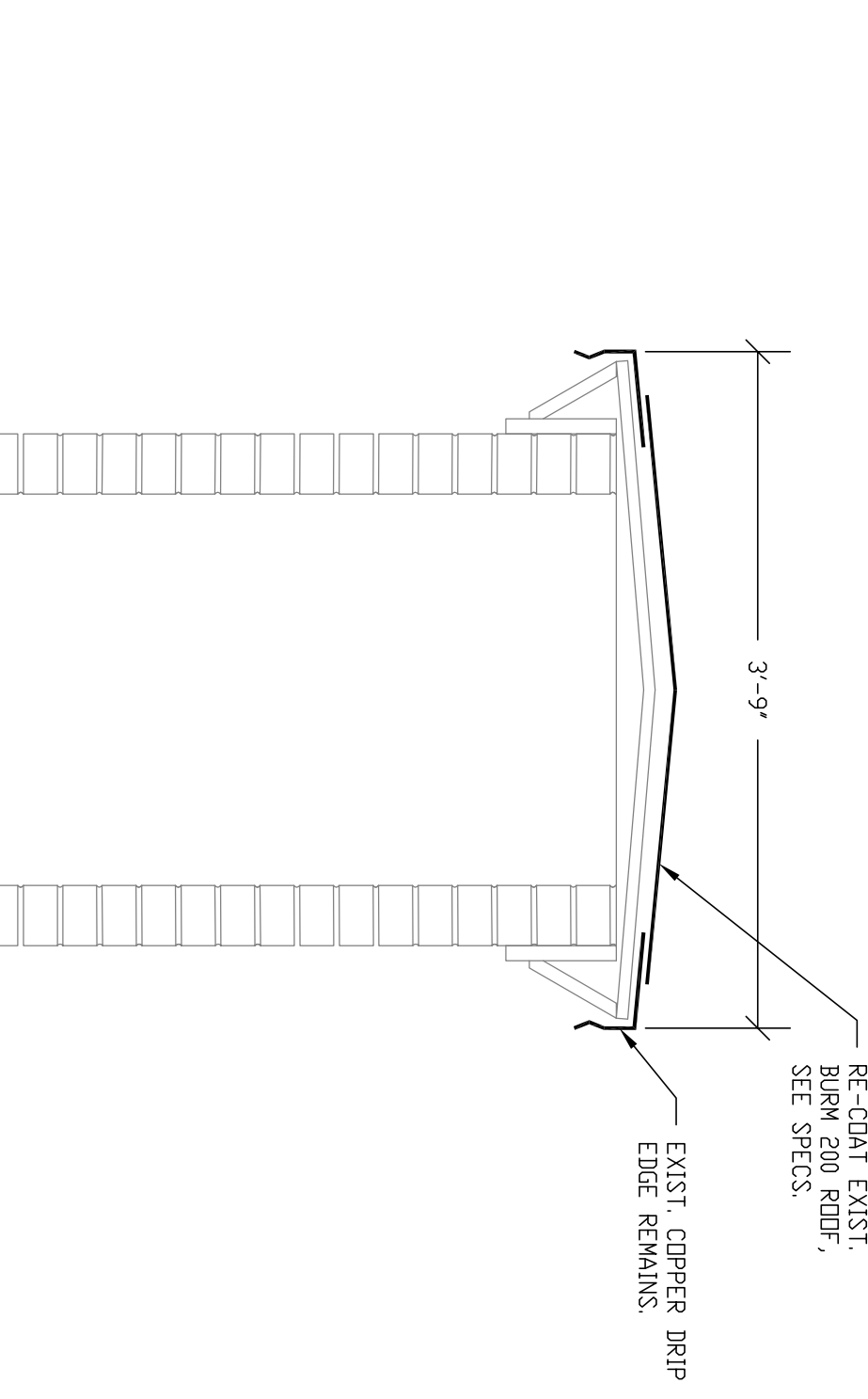
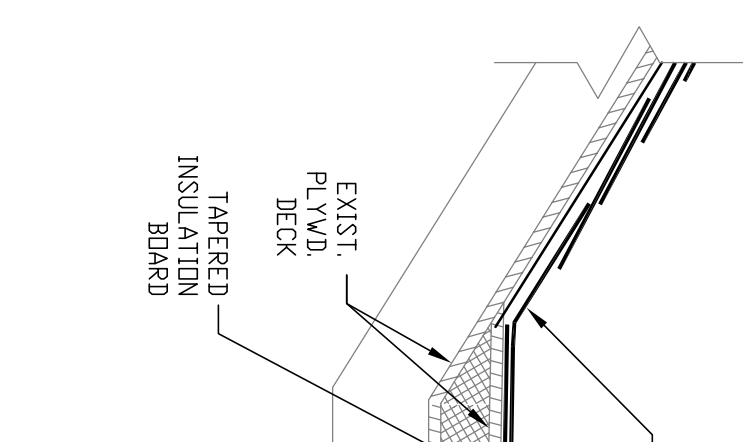
6 SECTION
RFS
1" = 1'-0"



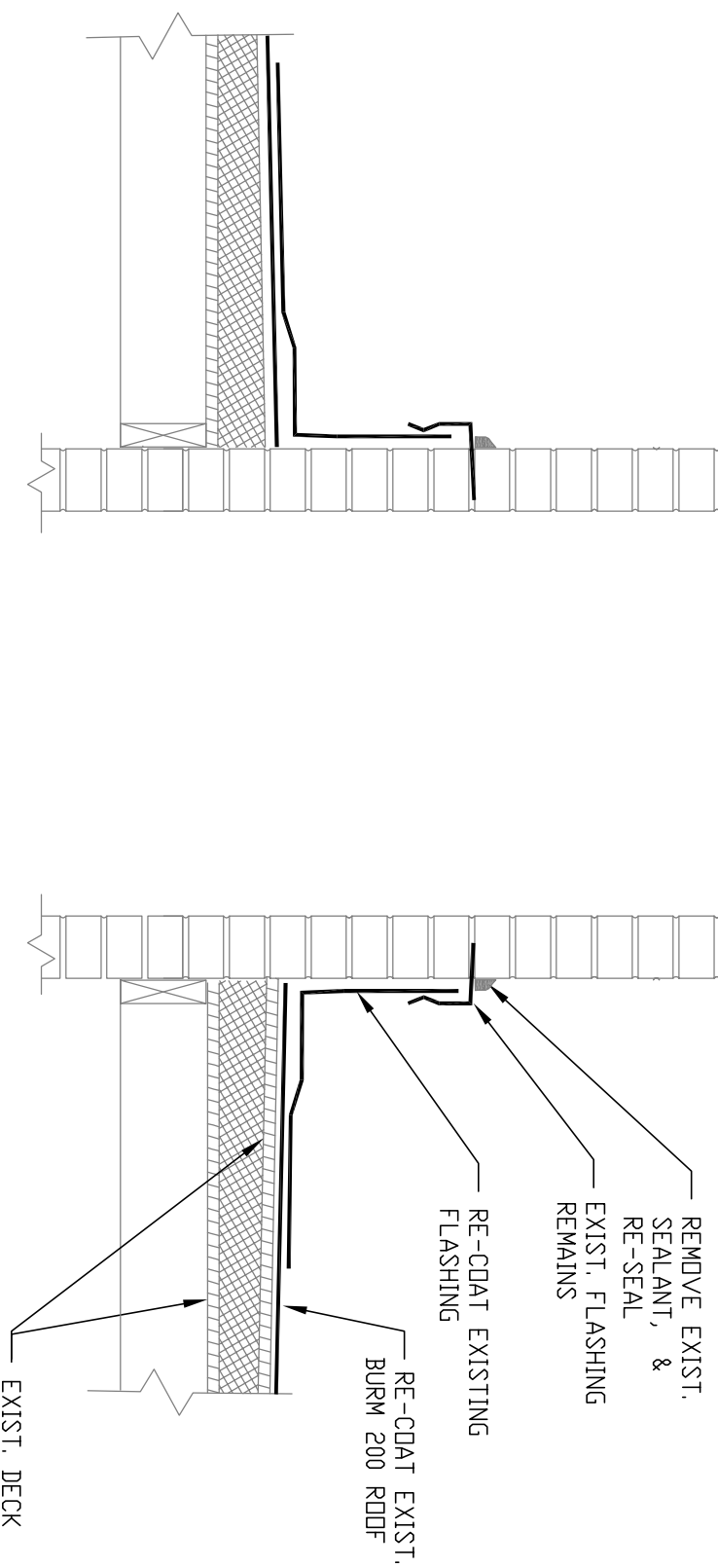
7 SECTION
RFS
1" = 1'-0"



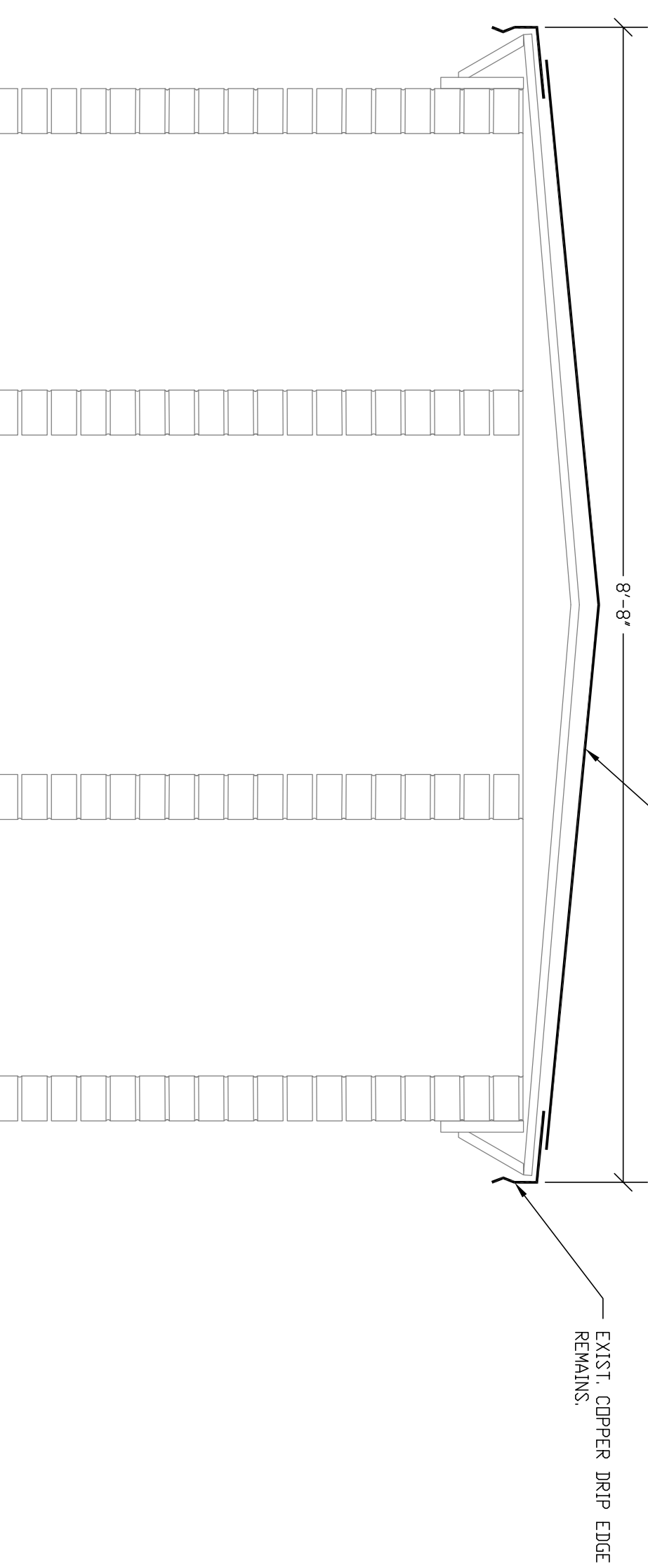
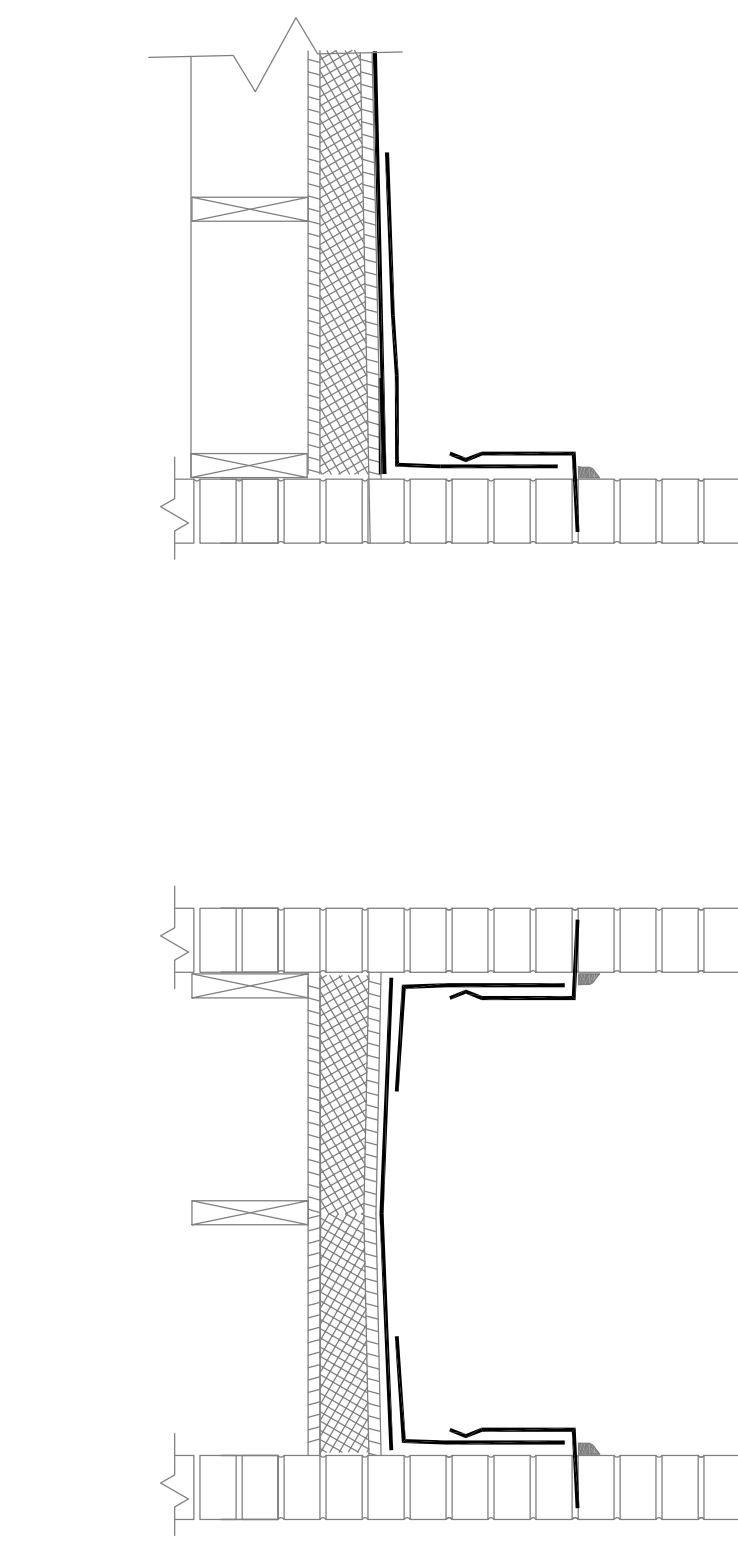
8 SECTION
RFS
1" = 1'-0"



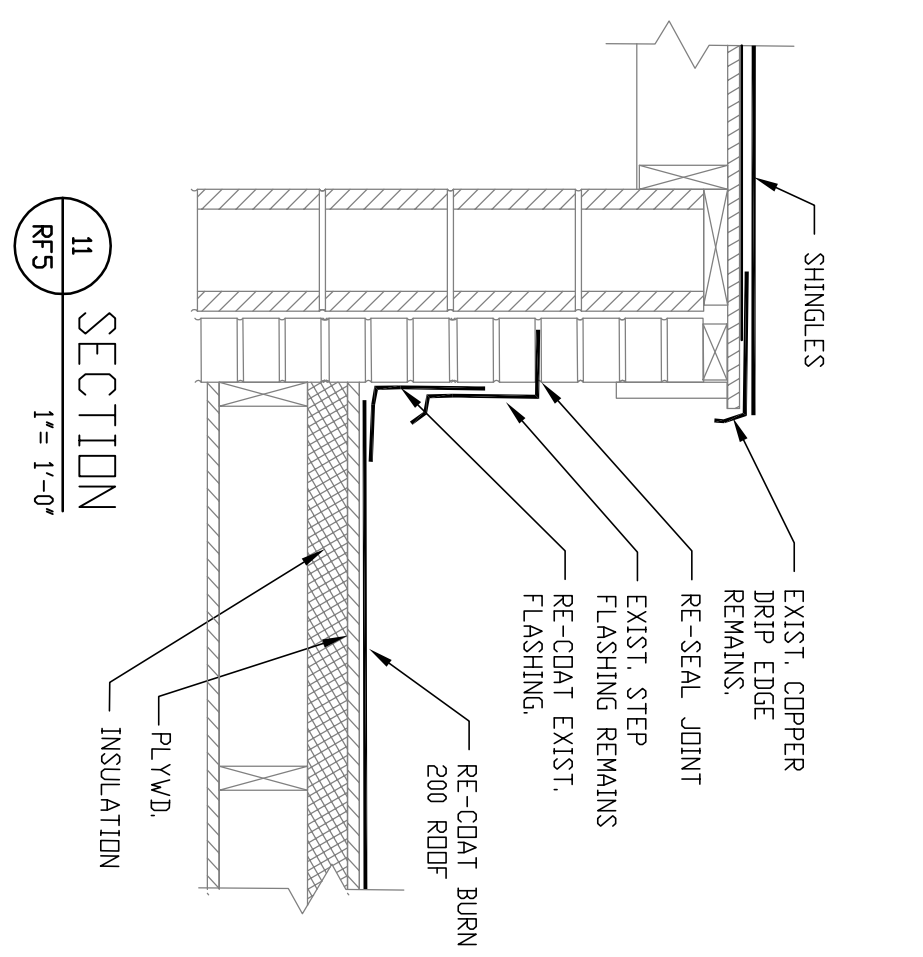
9 SECTION - BRICK VENT
RFS
1" = 1'-0"



10 SECTION - BRICK VENT
RFS
1" = 1'-0"



11 SECTION
RFS
1" = 1'-0"



Structural Support & Design Services
236 S. Shikeshire Rd.
Conway, MA 01341
413-522-7771



DESIGN BY:
MICHAEL RAINVILLE, P.E.
PROJECT:

RE-ROOFING PROJECT

NORTH PARISH SCHOOL PLACE TERRACE GREENFIELD, MA

PREPARED FOR:
TOWN OF GREENFIELD
14 COURT SQUARE
GREENFIELD, MA

DRAWING TITLE:

SECTIONS

RFS5