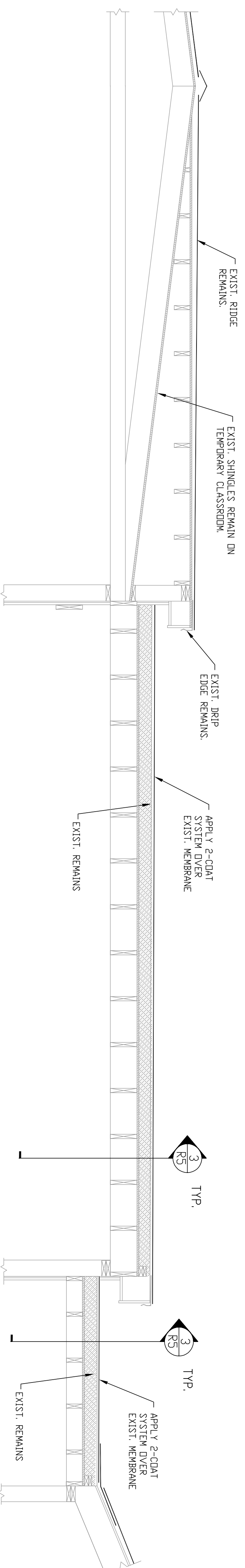
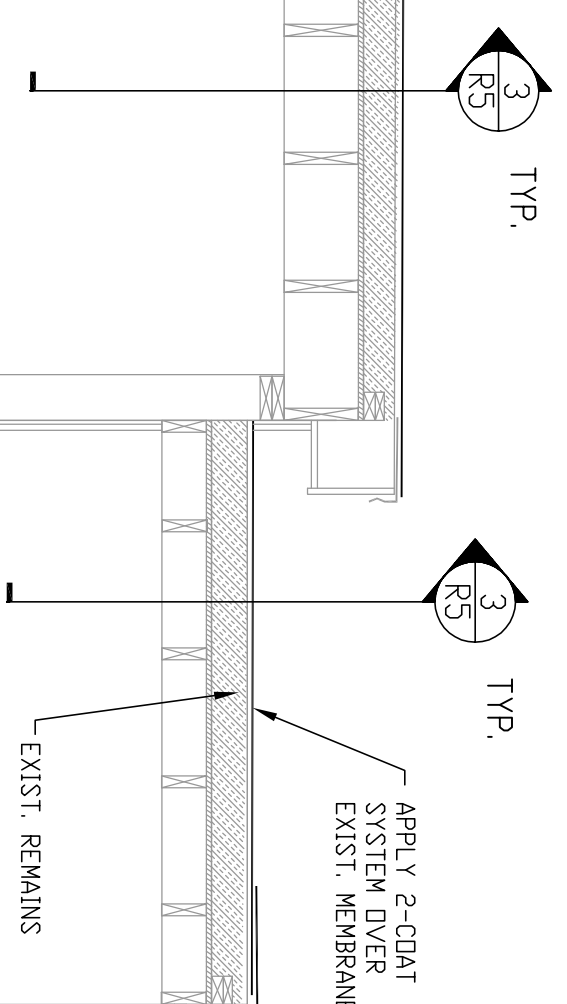


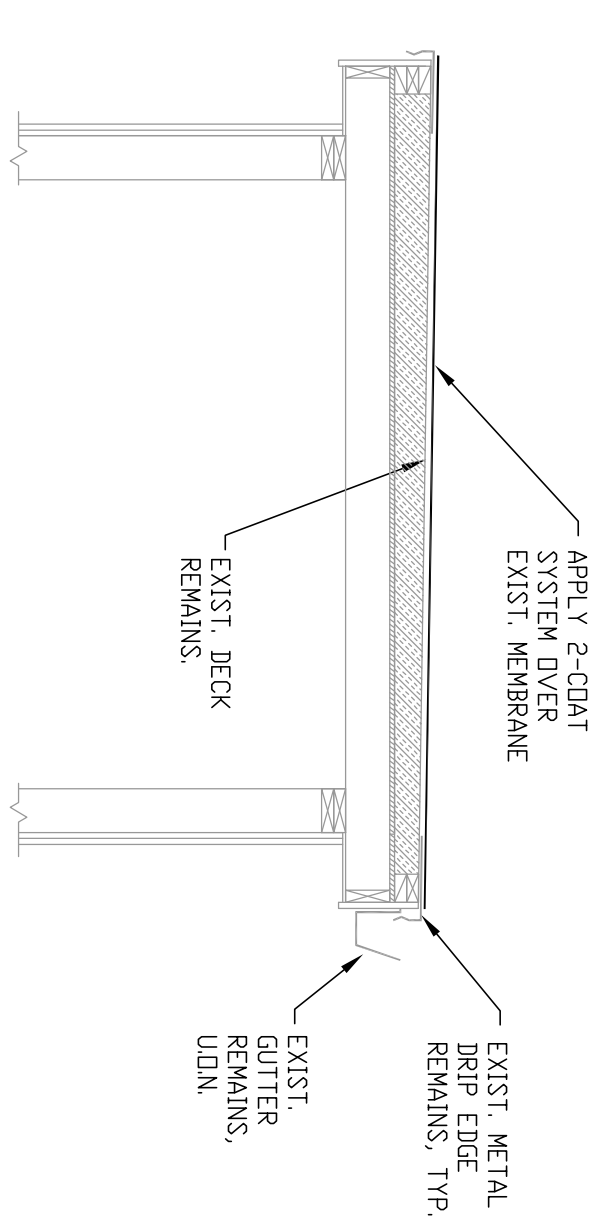
SECTION 1  
 1/2" = 1'-0"



SECTION 2 - MODULAR CLASSROOM CONNECTOR  
 1/2" = 1'-0"



SECTION 3  
 1/2" = 1'-0"



Structural Support  
 &  
 Design Services  
 236 S. Shikshire Rd.  
 Conway, MA 01341  
 413-922-7771

REV. DATE DESC. BY  
 0-04-15-15 FOR BID MR

DESIGN BY: MR

PROJECT:  
 RE-ROOFING  
 NEWTON SCHOOL  
 70 SHELBURNE RD.  
 GREENFIELD, MA

PREPARED FOR:  
 TOWN OF  
 GREENFIELD  
 14 COURT SQUARE  
 GREENFIELD, MA

DRAWING TITLE:

SECTIONS

R5